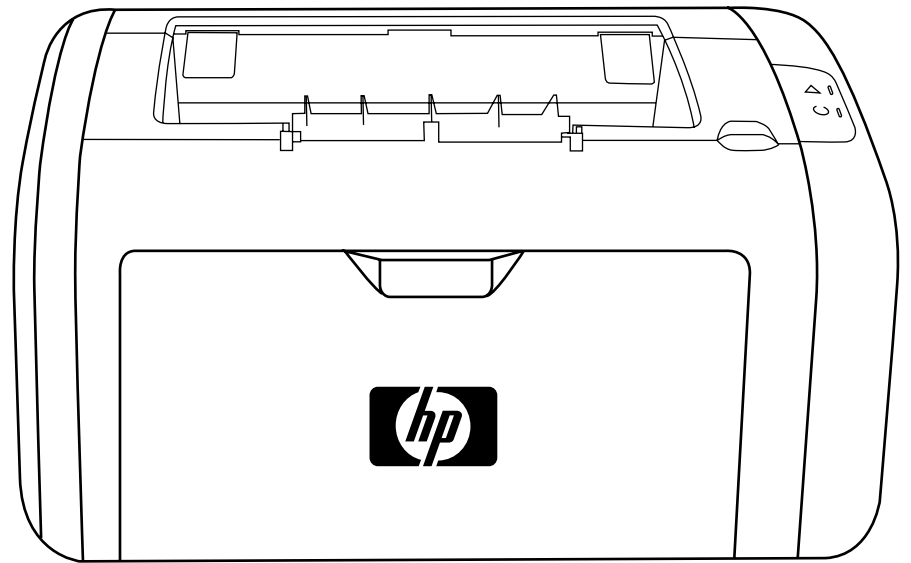


HP LaserJet 1020

User Guide



HP LaserJet 1020 printer

User Guide _____

Copyright information

© 2006 Copyright Hewlett-Packard
Development Company, L.P.

Reproduction, adaptation or translation
without prior written permission is
prohibited, except as allowed under the
copyright laws.

Part number: Q5911-90949

Edition 1, 02/2006

The information contained herein is subject
to change without notice.

The only warranties for HP products and
services are set forth in the express
warranty statements accompanying such
products and services. Nothing herein
should be construed as constituting an
additional warranty. HP shall not be liable
for technical or editorial errors or omissions
contained herein.

Trademark credits

Microsoft® and Windows® are
U.S. registered trademarks of Microsoft
Corporation.

Energy Star® and the Energy Star logo®
are US registered marks of the United
States Environmental Protection Agency.

Table of contents

1 Printer basics

Quick access to more information	2
Web links for drivers, software, and support	2
User guide links	2
Where to look for more information	2
Printer configuration	3
HP LaserJet 1020 printer	3
Walkaround	4
Printer control panel	5
Media paths	6
Priority feed slot	6
Main input tray	6
Output bin	7
Printer connections	8
Connecting the USB cable	8
Printer software	9
Supported operating systems	9
Printer software for Windows computers	9
Printer drivers	9
Printer properties (driver)	10
Printer properties online help	10
Print setting priorities	11
Printer information page	12
Printer Test page	12
Printer media considerations	13
Supported media sizes	13

2 Printing tasks

Manual feed	16
To print using manual feed	16
Canceling a print job	17
Understanding print quality settings	18
Optimizing print quality for media types	19
Guidelines for using media	20
Paper	20
Labels	21
Transparencies	21
Envelopes	21
Cardstock and heavy media	22
Letterhead and preprinted forms	23
Choosing paper and other media	24
HP media	24
Media to avoid	24
Media that might damage the printer	24
Loading media into the input trays	26

Priority feed slot	26
150-sheet main input tray	26
Printing an envelope	27
Printing multiple envelopes	29
Printing on transparencies or labels	31
Printing on letterhead and preprinted forms	32
Printing on custom-size media and cardstock	33
Printing on both sides of the paper (manual two-sided printing)	34
Printing multiple pages on a single sheet of paper (N-up printing)	36
Printing booklets	37
Printing watermarks	39

3 Maintenance

Cleaning the printer	42
Cleaning the print cartridge area	42
Cleaning the printer media path	43
Changing the pickup roller	45
Cleaning the pickup roller	48
Changing the printer separation pad	49
Redistributing toner	51
Changing the print cartridge	53

4 Problem solving

Finding the solution	56
Step 1: Is the printer set up correctly?	56
Step 2: Is the Ready light on?	56
Step 3: Can you print a Printer Test page?	56
Step 4: Is the print quality acceptable?	57
Step 5: Is the printer communicating with the computer?	57
Step 6: Does the printed page look like you expected?	57
Contact HP support	57
Status light patterns	58
Paper handling problems	60
Media jam	60
Print is skewed (crooked)	60
More than one sheet of media feeds through the printer at one time	60
Printer does not pull media from the media input tray	60
Printer curled the media	61
Print job is extremely slow	61
Printed page is different than what appeared on screen	62
Garbled, incorrect, or incomplete text	62
Missing graphics or text, or blank pages	62
Page format is different than on another printer	63
Graphics quality	63
Printer software problems	64
Improving print quality	66
Light or faded print	66
Toner specks	66
Dropouts	66
Vertical lines	67
Gray background	67
Toner smear	67
Loose toner	68
Vertical repetitive defects	68
Misformed characters	68

Page skew	69
Curl or wave	69
Wrinkles or creases	69
Toner scatter outline	70
Water droplets on bottom edge	70
Clearing jams	71
Typical media jam locations	71
Removing a jammed page	71

Appendix A Printer specifications

Environmental specifications	76
Acoustic emissions	77
Electrical specifications	78
Physical specifications	79
Printer capacities and ratings	80
Memory specifications	81

Appendix B Regulatory information

FCC compliance	83
Declaration of Conformity statement	84
Regulatory statements	85
Laser safety statement	85
Canadian DOC regulations	85
Korean EMI statement	85
Laser statement for Finland	86
Environmental product stewardship program	87
Protecting the environment	87
Ozone production	87
Energy consumption	87
Toner consumption	87
Paper use	87
Plastics	87
HP LaserJet printing supplies	88
HP printing supplies returns and recycling program information	88
Paper	88
Material restrictions	88
For more information	88
Material safety data sheet	90

Appendix C Warranty and licensing

Hewlett-Packard limited warranty statement	91
Hewlett-Packard software license agreement	93
Print cartridge limited warranty	94

Appendix D HP parts and accessories

Ordering supplies	96
Using HP print cartridges	98
HP policy on non-HP print cartridges	98
Storing print cartridges	98
Print cartridge life expectancy	98
Saving toner	98

Appendix E Service and support

Availability of support and service	100
HP Care Pack™ Services and Service Agreements	100
Guidelines for repacking the printer	101
How to contact HP	102

Index

1

Printer basics

This chapter provides information on the following topics:

- [Quick access to more information](#)
- [Printer configuration](#)
- [Walkaround](#)
- [Printer control panel](#)
- [Media paths](#)
- [Printer connections](#)
- [Printer software](#)
- [Printer information page](#)
- [Printer media considerations](#)

Quick access to more information

The following sections provide resources for additional information about the HP LaserJet 1020 printer.

Web links for drivers, software, and support

If you need to contact HP for service or support, use one of the following links.

HP LaserJet 1020 printer

- In the United States, see <http://www.hp.com/support/lj1020/>.
- In other countries/regions, see <http://www.hp.com/>.

User guide links

- [Walkaround](#) (location of printer components)
- [Changing the print cartridge](#)
- [Problem solving](#)
- [Ordering supplies](#)

Where to look for more information

- **CD user guide:** Detailed information on using and troubleshooting the printer. Available on the CD-ROM that came with the printer.
- **Online Help:** Information on printer options that are available from within printer drivers. To view a Help file, access the online Help through the printer driver.
- **HTML (online) user guide:** Detailed information on using and troubleshooting the printer. Available at <http://www.hp.com/support/lj1020/>. Once connected, select **Manuals**.

Printer configuration

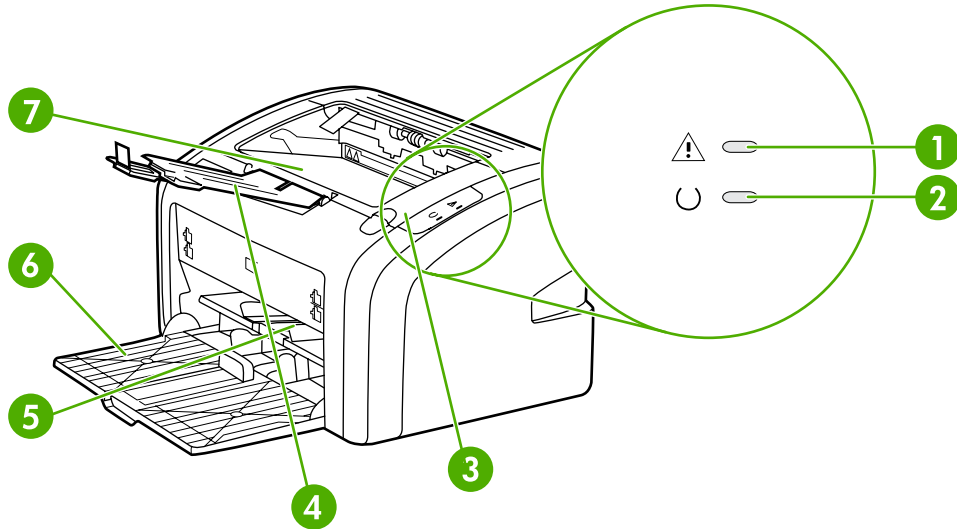
Below is the standard configuration for the HP LaserJet 1020 printer.

HP LaserJet 1020 printer

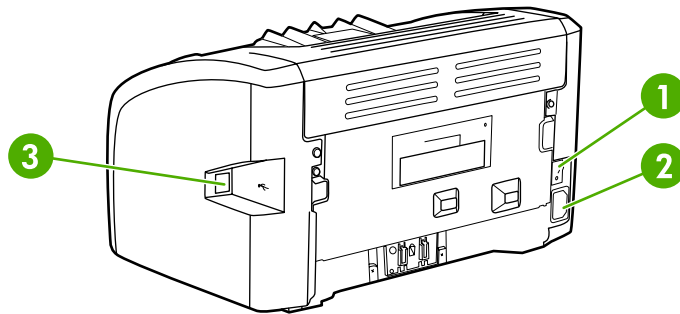
- 14 pages per minute (ppm) for A4 media and 15 ppm for letter media
- First page out in as few as 10 seconds
- FastRes 1200: 1200 dpi effective output quality (600 x 600 x 2 dpi with HP Resolution Enhancement technology [REt])
- 150-sheet main input tray
- Priority feed slot
- 100-sheet output capacity
- EconoMode (saves toner)
- Print watermarks, booklets, multiple pages per sheet (N-up), and first page on different media than rest of the document
- 2 MB RAM
- 2,000-page print cartridge
- USB 2.0 High Speed
- Power switch

Walkaround

The following illustrations identify the components of the HP LaserJet 1020 printer.



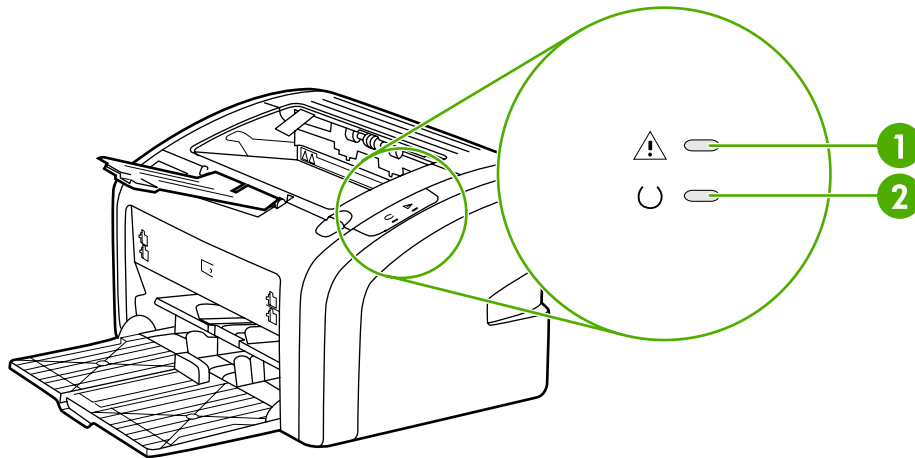
- 1 Attention light
- 2 Ready light
- 3 Print cartridge door
- 4 Output media support
- 5 Priority feed slot
- 6 150-sheet main input tray
- 7 Output bin



- 1 On/off switch
- 2 Power receptacle
- 3 USB port

Printer control panel

The printer control panel is composed of two lights. These lights produce patterns that identify your printer's status.



- 1 **Attention light:** Indicates that the printer media input trays are empty, the print cartridge door is open, the print cartridge is missing, or other errors. See [Printer information page](#) for more information.
- 2 **Ready light:** Indicates that the printer is ready to print.

NOTE

See [Status light patterns](#) for a description of the light patterns.

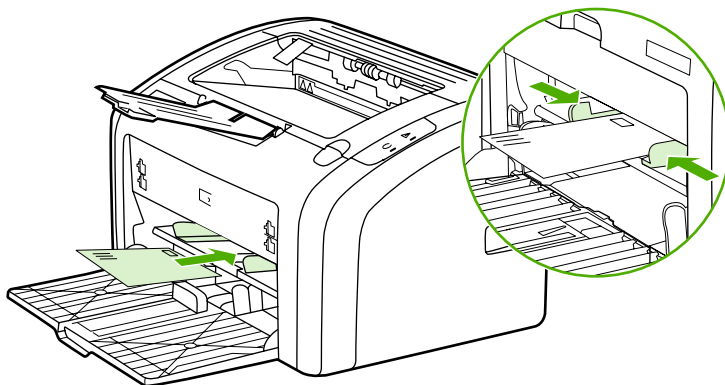
Media paths

The following sections describe the input trays and output bin.

Priority feed slot

You should use the priority feed slot when feeding one sheet of paper, envelope, postcard, label, or transparency. You can also use the priority feed slot to print the first page on different media than the rest of the document.

Media guides ensure that the media is correctly fed into the printer and that the print is not skewed (crooked on the media). When loading media, adjust the media guides to match the width of the media that you are using.

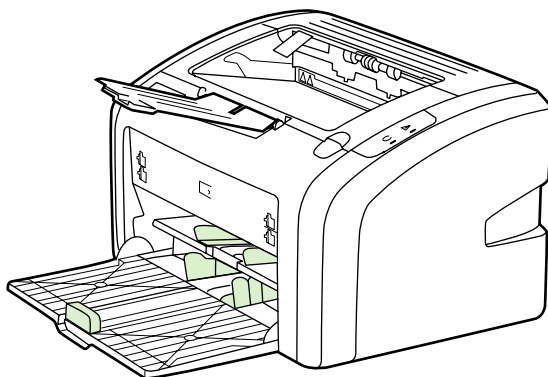


See [Choosing paper and other media](#) for more information about media types.

Main input tray

The main input tray, accessed from the front of the printer, holds up to 150 sheets of 20-lb paper or other media. For information about media specifications, see [Printer capacities and ratings](#).

Media guides ensure the media is correctly fed into the printer and the print is not skewed (crooked on the media). The main input tray has both side and front media guides. When loading media, adjust the media guides to match the length and width of the media that you are using.



Output bin

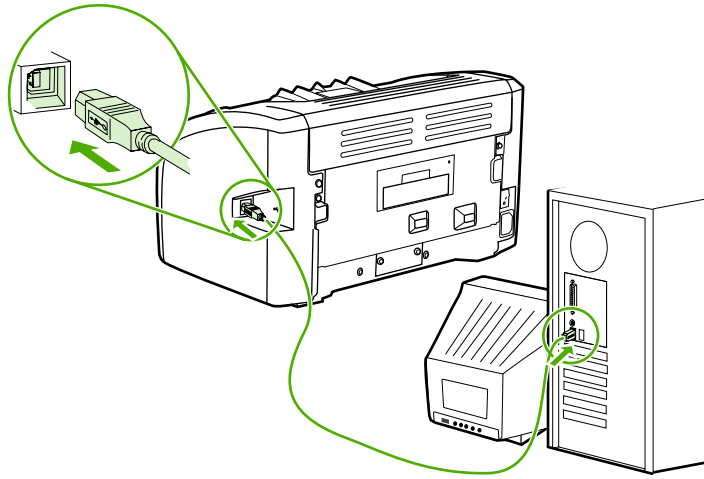
The output bin is located on the top of the printer. Printed media is collected here in the correct sequence. The output media support provides improved stacking for large print jobs.

Printer connections

The HP LaserJet 1020 printer supports USB 2.0 High Speed connections.

Connecting the USB cable

1. Plug the USB cable into the printer.
2. Plug the other end of the USB cable into the computer when prompted to do so during the software installation.



Printer software

The following sections describe the supported operating systems and the software that is provided with the HP LaserJet 1020 printer.

NOTE

Not all software is available in all languages.

Supported operating systems

The printer comes with software for the following operating systems:

- Windows XP
- Windows 2000
- Windows ME
- Windows 98 Second Edition (SE)
- Windows Server 2003

For more information about upgrading from Windows 2000 Server to Windows Server 2003, go to <http://www.microsoft.com/>.

For more information about Windows Server 2003 Point and Print, go to <http://www.microsoft.com/>.

For more information about Windows Server 2003 Terminal Services and Printing, go to <http://www.microsoft.com/>.

Printer software for Windows computers

The following sections provide instructions for installing the printer software on various Windows operating systems and the software that is available to all users of the printer.

To install printer software for all other operating systems

Insert the software CD that came with the printer into the computer CD-ROM drive. **Follow the on-screen installation instructions.**

NOTE

If the Welcome screen does not open, click **Start** on the Windows task bar, click **Run**, type `Z:\setup` (where Z is your CD drive letter), and click **OK**.

Printer drivers

A printer driver is the software component that provides access to printer features and provides the means for the computer to communicate with the printer.

Printer properties (driver)

Printer properties control the printer. You can change the default settings, such as media size and type, printing multiple pages on a single sheet of media (N-up printing), resolution, and watermarks. You can access the printer properties in the following ways:

- Through the software application that you are using to print. This only changes the settings for the current software application.
- Through the Windows operating system. This changes the default settings for all future print jobs.

NOTE

Because many software applications use a different method of accessing the printer properties, the following section describes the most common methods used in Windows 98 SE, 2000, ME, and Windows XP.

To only change the settings for the current software application

NOTE

Although the steps can vary between software applications, this is the most common method.

1. From the **File** menu in the software application, click **Print**.
2. On the **Print** dialog, click **Properties**.
3. Change the settings, and click **OK**.

To change the default settings for all future print jobs in Windows 98 SE, 2000, and ME

1. In the Windows task bar, click **Start**, select **Settings**, and click **Printers**.
2. Right-click the **HP LaserJet 1020** printer icon.
3. Click **Properties** (in Windows 2000, you can also click **Printing Preferences**).
4. Change the settings, and click **OK**.

NOTE

In Windows 2000, many of these features are available from the **Printing Preferences** menu.

To change the default settings for all future print jobs in Windows XP

1. In the Windows task bar, click **Start**, select **Settings**, and click **Printers and Faxes**.
2. Right-click the **HP LaserJet 1020** printer icon.
3. Click **Properties**, or click **Printing Preferences**.
4. Change the settings, and click **OK**.

Printer properties online help

The printer properties (driver) online help includes specific information about the functions in the printer properties. This online help guides you through the process of changing your printer's default settings. For some drivers, online help gives instructions on using context-sensitive help. Context-sensitive help describes the options for the driver feature you are currently accessing.

To access the printer properties online help

1. From the software application, click **File**, and then click **Print**.
2. Click **Properties**, and then click **Help**.

Print setting priorities

There are two ways to change print settings for this printer: in the software application or in the printer driver. Changes made in the software application override settings changed in the printer driver. Within a software application, changes made in the Page Setup dialog box override changes made in the Print dialog box.

If a particular print setting can be changed in more than one of the ways listed above, use the method that has the highest priority.

Printer information page

The Printer Test page is a printer information page that resides within the memory of the printer. During installation you can choose to print the Printer Test page. If the page prints, you correctly installed the printer.

Printer Test page

The Printer Test page contains information about printer driver and port settings. The page also contains information about the printer name and model, computer name, and so on. You can print the Printer Test page from the printer driver.

Printer media considerations

HP LaserJet printers produce excellent print quality. The printer accepts a variety of media, such as cut-sheet paper (including recycled paper), envelopes, labels, transparencies, vellum, and custom-size paper. Properties such as weight, grain, and moisture content are important factors affecting printer performance and output quality.

The printer can use a variety of paper and other print media in accordance with the guidelines in this user guide. Media that does not meet these guidelines might cause the following problems:

- Poor print quality
- Increased media jams
- Premature wear on the printer, requiring repair

For best results, use only HP brand paper and print media. Hewlett-Packard Company cannot recommend the use of other brands. Because they are not HP products, HP cannot influence or control their quality.

It is possible for media to meet all of the guidelines in this user guide and still not produce satisfactory results. This might be the result of improper handling, unacceptable temperature and humidity levels, or other variables over which HP has no control.

Before purchasing a large quantity of media, make sure that it meets the requirements specified in this user guide and in the *HP LaserJet printer family print media guide*. The guidelines can be downloaded from <http://www.hp.com/support/ljpaperguide/> or see [Ordering supplies](#) for more information about ordering the guidelines. Always test media before you purchase a large quantity.

CAUTION

Using media that does not meet HP's specifications might cause problems for the printer, requiring repair. This repair is not covered by the HP warranty or service agreements.

Supported media sizes

For information about supported media sizes, see [Printer capacities and ratings](#).

2

Printing tasks

This chapter provides information on the following topics:

- [Manual feed](#)
- [Canceling a print job](#)
- [Understanding print quality settings](#)
- [Optimizing print quality for media types](#)
- [Guidelines for using media](#)
- [Choosing paper and other media](#)
- [Loading media into the input trays](#)
- [Printing an envelope](#)
- [Printing multiple envelopes](#)
- [Printing on transparencies or labels](#)
- [Printing on letterhead and preprinted forms](#)
- [Printing on custom-size media and cardstock](#)
- [Printing on both sides of the paper \(manual two-sided printing\)](#)
- [Printing multiple pages on a single sheet of paper \(N-up printing\)](#)
- [Printing booklets](#)
- [Printing watermarks](#)

Manual feed

You can use manual feed when printing mixed media, for example, an envelope, then a letter, then an envelope, and so on. Feed an envelope into the priority feed slot and load letterhead into the main input tray.

To print using manual feed

1. Access the printer properties (or printing preferences in Windows 2000 and XP). See [Printer properties \(driver\)](#) for instructions.
2. On the **Paper/Quality** tab, select **Manual Feed** from the **Source is** drop-down list.
3. Feed media into the priority feed slot, and click **Continue**.

Canceling a print job

You can cancel a print job from a software application or a print queue.

To stop the printer immediately, remove the remaining paper from the printer. After the printer stops, use one of the following options.

- **Software application:** Typically, a dialog box appears briefly on your screen, allowing you to cancel the print job.
- **Windows print queue:** If a print job is waiting in a print queue (computer memory) or print spooler, delete the job there. Click **Start, Settings,** and **Printers** or **Printers and Faxes**. Double-click the **HP LaserJet 1020** icon to open the window, select your print job, and click **Delete** or **Cancel**.

If the status lights on the control panel continue to blink after you cancel a print job, the computer is still sending the job to the printer. Either delete the job from the print queue or wait until the computer finishes sending data. The printer will return to the Ready state.

Understanding print quality settings

Print quality settings affect how light or dark the print is on the page and the style in which the graphics are printed. You can also use the print quality settings to optimize the print quality for a specific media type. See [Optimizing print quality for media types](#) for more information.

You can change the settings in the printer properties to accommodate the types of jobs you are printing. The following are the settings:

- **FastRes 1200:** This setting provides 1200 dpi effective output quality (600 x 600 x 2 dpi with HP Resolution Enhancement technology [REt]).
 - **600 dpi:** This setting provides 600 x 600 dpi output with Resolution Enhancement technology (REt) for improved text.
 - **EconoMode (Save Toner):** Text is printed using less toner. This setting is useful when you are printing drafts. You can turn on this option independently of other print quality settings.
1. Access the printer properties (or printing preferences in Windows 2000 and XP). See [Printer properties \(driver\)](#) for instructions.
 2. On the **Finishing** tab, select the print quality setting you want to use.

NOTE

Not all printer features are available in all drivers or operating systems. See the printer properties (driver) online Help for information about the availability of features for that driver.

NOTE

To change the print quality settings for all future print jobs, access the properties through the **Start** menu in the Windows task bar. To change the print quality settings only for the current software application, access the properties through the **Print Setup** menu in the application you are using to print. See [Printer properties \(driver\)](#) for more information.

Optimizing print quality for media types

Media type settings control the temperature of your printer's fuser. You can change the settings for the media that you are using to optimize the print quality.

The HP LaserJet 1020 printer provides a number of print modes that allow the unit to adapt more specifically to the printer's media environment. The following tables provide an overview of the driver print modes.

NOTE

When using the CARDSTOCK, ENVELOPE, LABEL, and ROUGH modes, the printer pauses between pages and the number of pages per minute decreases.

Driver print default modes

Mode	Media
PLAIN	75 to 104 g/m ² (20 to 27 lb)
LIGHT	< 75 g/m ² (20 lb)
HEAVY	90 to 105 g/m ² (24 to 28 lb)
CARDSTOCK	Cardstock or thick media
TRANSPARENCY	4-mil, 0.1 monochrome overhead transparencies (OHTs)
ENVELOPE	Standard envelopes
LABEL	Standard HP LaserJet labels
BOND	Bond paper
ROUGH	Rough paper
COLOR	Plain media
LETTERHEAD	Plain media
PREPRINTED	Plain media
PREPUNCHED	Plain media
RECYCLED	Plain media
VELLUM	Plain media

Guidelines for using media

The following sections provide guidelines and instructions for printing on transparencies, envelopes, and other special media. Guidelines and specifications are included to help you select media that optimizes print quality and avoid media that might cause jams or damage the printer.

Paper

For best results, use conventional 75 g/m² (20 lb) paper. Make sure that the paper is of good quality and free of cuts, nicks, tears, spots, loose particles, dust, wrinkles, voids, and curled or bent edges.

If you are unsure about what type of paper you are loading (such as bond or recycled), check the label on the package of paper.

Some paper causes print quality problems, jamming, or damage to the printer.

Paper usage

Symptom	Problem with paper	Solution
Poor print quality or toner adhesion Problems with feeding	Too moist, too rough, too smooth, or embossed Faulty paper lot	Try another kind of paper between 100-250 Sheffield and 4-6% moisture content. Check the printer and make sure that the appropriate media type has been selected.
Dropouts, jamming, or curl	Stored improperly	Store paper flat in its moisture-proof wrapping.
Increased gray background shading	Might be too heavy	Use lighter paper.
Excessive curl Problems with feeding	Too moist, wrong grain direction, or short-grain construction	Use long-grain paper. Check the printer and make sure that the appropriate media type has been selected.
Jamming or damage to printer	Cutouts or perforations	Do not use paper with cutouts or perforations.
Problems with feeding	Ragged edges	Use good quality paper.

NOTE

The printer uses heat and pressure to fuse toner to the paper. Make sure that any colored paper or preprinted forms use inks that are compatible with the printer temperature. The printer's maximum temperature is 200°C (392°F) for 0.1 second.

Do not use letterhead that is printed with low-temperature inks, such as those used in some types of thermography.

Do not use raised letterhead.

Do not use transparencies designed for Inkjet printers or other low-temperature printers. Use only transparencies that are specified for use with HP LaserJet printers.

Labels

HP recommends that you print labels from the priority feed slot.

CAUTION

Do not feed a sheet of labels through the printer more than once. The adhesive degrades and might damage the printer.

Label construction

When selecting labels, consider the quality of the following components:

- **Adhesives:** The adhesive material should be stable at 200°C (392°F), the printer's maximum temperature.
- **Arrangement:** Only use labels with no exposed backing between them. Labels can peel off sheets that have spaces between the labels, causing serious jams.
- **Curl:** Prior to printing, labels must lie flat with no more than 13 mm (0.5 inches) of curl in any direction.
- **Condition:** Do not use labels with wrinkles, bubbles, or other indications of separation.

Transparencies

Transparencies must be able to withstand the printer's maximum temperature of 200°C (392°F).

Envelopes

HP recommends that you print envelopes from the priority feed slot.

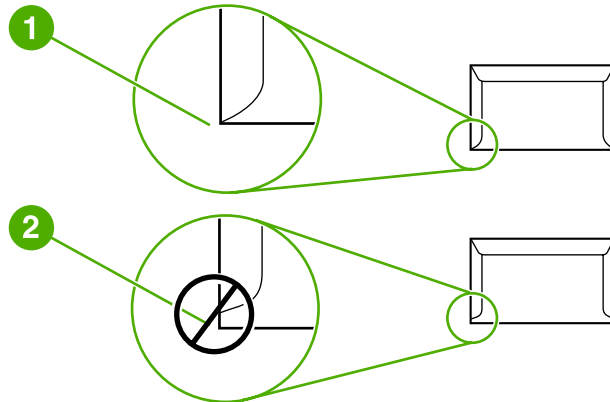
Envelope construction

Envelope construction is critical. Envelope fold lines can vary considerably, not only between manufacturers, but also within a box from the same manufacturer. Successful printing on envelopes depends upon the quality of the envelopes. When selecting envelopes, consider the following components:

- **Weight:** The weight of the envelope paper should not exceed 90 g/m² (24 lb) or jamming might result.
- **Construction:** Prior to printing, envelopes should lie flat with less than 6 mm (0.25 inches) curl and should not contain air. Envelopes that trap air might cause problems. Do not use envelopes that contain clasps, snaps, tie strings, transparent windows, holes, perforations, cut outs, synthetic materials, stamping, or embossing. Do not use envelopes with adhesives that do not require moistening, but rely instead on pressure to seal them.
- **Condition:** Make sure that the envelopes are not wrinkled, nicked, or otherwise damaged. Make sure that the envelopes do not have any exposed adhesive.
- **Sizes:** The envelope sizes range from 90 x 160 mm (3.5 x 6.3 inches) to 178 x 254 mm (7 x 10 inches).

Envelopes with double-side seams

An envelope with double-side-seam construction has vertical seams at both ends of the envelope rather than diagonal seams. This style might be more likely to wrinkle. Make sure that the seam extends all the way to the corner of the envelope as shown in the following illustration.



- 1 acceptable envelope construction
- 2 unacceptable envelope construction

Envelopes with adhesive strips or flaps

Envelopes with a peel-off adhesive strip or with more than one flap that folds over to seal must use adhesives compatible with the heat and pressure in the printer. The printer's maximum temperature is 200°C (392°F). The extra flaps and strips might cause wrinkling, creasing, or jams.

Envelope storage

Proper storage of envelopes contributes to good print quality. You should store envelopes flat. If air is trapped in an envelope, creating an air bubble, the envelope might wrinkle during printing.

Cardstock and heavy media

You can print many types of cardstock from the media input trays, including index cards and postcards. Some cardstock performs better than others because its construction is better suited for feeding through a laser printer.

For optimum printer performance, do not use paper heavier than 157 g/m² (42 lb). Paper that is too heavy might cause misfeeds, stacking problems, paper jams, poor toner fusing, poor print quality, or excessive mechanical wear.

NOTE

You might be able to print on heavier paper if you do not fill the input tray to capacity and if you use paper with a smoothness rating of 100-180 Sheffield.

Cardstock construction

- **Smoothness:** The 135-157 g/m² (36-42 lb) cardstock should have a smoothness rating of 100-180 Sheffield; 60-135 g/m² (16-36 lb) cardstock should have a smoothness rating of 100-250 Sheffield.
- **Construction:** Cardstock should lie flat with less than 5 mm (0.2 inches) of curl.
- **Condition:** Make sure that the cardstock is not wrinkled, nicked, or otherwise damaged.
- **Sizes:** Only use cardstock within the following size ranges:
 - **Minimum:** 76 x 127 mm (3 x 5 inches)
 - **Maximum:** 216 x 356 mm (8.5 x 14.0 inches)

Cardstock guidelines

Set margins at least 2 mm (0.08 inches) away from the edges.

Letterhead and preprinted forms

Letterhead is premium paper that often has a watermark, sometimes uses cotton fiber, and is available in a wide range of colors and finishes with matching envelopes. Preprinted forms can be made of a broad spectrum of paper types ranging from recycled to premium.

Many manufactures now design these grades of paper with properties optimized for laser printer and advertise the paper as laser-compatible or laser-guaranteed.

NOTE

Some page-to-page variation is normal when printing with laser printers. This variation cannot be observed when printing on plain paper. However, this variation is obvious when printing on preprinted forms because the lines and boxes are already placed on the page.

To avoid problems when using preprinted forms, embossed paper, and letterhead, observe the following guidelines:

- Avoid using low-temperature inks (the kind used with some types of thermography).
- Use preprinted forms and letterhead paper that have been printed by offset lithography or engraving.
- Use forms that have been created with heat-resistant inks that will not melt, vaporize, or release undesirable emissions when heated to 200°C (392°F) for 0.1 second. Typically, oxidation-set or oil-based inks meet this requirement.
- When the form is preprinted, be careful not to change the moisture content of the paper, and do not use materials that change the paper's electrical or handling properties. Seal the forms in moisture-proof wrap to prevent moisture changes during storage.
- Avoid processing preprinted forms that have a finish or coating.
- Avoid using heavily embossed or raised-letterhead papers.
- Avoid papers that have heavily textured surfaces.
- Avoid using offset powders or other materials that prevent printed forms from sticking together.

Choosing paper and other media

HP LaserJet printers produce excellent print quality documents. You can print on a variety of media, such as paper (including up to 100% recycled fiber content paper), envelopes, labels, transparencies, and custom-size media. The following are the supported media sizes:

- **Minimum:** 76 x 127 mm (3 x 5 inches)
- **Maximum:** 216 x 356 mm (8.5 x 14 inches)

Properties such as weight, grain, and moisture content are important factors that affect printer performance and quality. To achieve the best possible print quality, only use high-quality media designed for laser printers. See [Printer media considerations](#) for detailed paper and media specifications.

NOTE

Always test a sample of the media before you purchase large quantities. Your media supplier should understand the requirements specified in the *HP LaserJet printer family print media guide* (HP part number 5851-1468). See [Printer media considerations](#) for more information.

HP media

HP recommends the following HP media:

- HP Multipurpose Paper
- HP Office Paper
- HP All-in-One Printing Paper
- HP LaserJet Paper
- HP Premium Choice LaserJet Paper

Media to avoid

The HP LaserJet 1020 printer can handle many types of media. Use of media outside the printer's specifications will cause a loss of print quality and increase the chance of paper jams.

- Do not use paper that is too rough.
- Do not use paper with cutouts or perforations other than standard three-hole punched paper.
- Do not use multipart forms.
- Do not use paper with a watermark if you are printing solid patterns.

Media that might damage the printer

In rare circumstances media can damage the printer. The following media must be avoided to prevent possible damage:

- Do not use media with staples attached.
- Do not use transparencies designed for Inkjet printers or other low-temperature printers. Use only transparencies that are specified for use with HP LaserJet printers.

- Do not use photo paper intended for Inkjet printers.
- Do not use paper that is embossed or coated and is not designed for the temperatures of the printer's image fuser. Select media that can tolerate temperatures of 200°C (392°F) for 0.1 second. HP produces a selection of media that is designed for the HP LaserJet 1020 printer.
- Do not use letterhead paper with low-temperature dyes or thermography. Preprinted forms or letterhead must use inks that can tolerate temperatures of 200°C (392°F) for 0.1 second.
- Do not use any media that produces hazardous emissions, or that melts, offsets, or discolors when exposed to 200°C (392°F) for 0.1 second.

To order HP LaserJet printing supplies, go to <http://www.hp.com/go/ljsupplies/> in the U.S. or to <http://www.hp.com/ghp/buyonline.html/> worldwide.

Loading media into the input trays

The following sections describe how to load media into the different input trays.

CAUTION

If you try to print on media that is wrinkled, folded, or damaged in any way, a jam might occur. See [Printer media considerations](#) for more information.

Priority feed slot

The priority feed slot holds one sheet of media up to 163 g/m² (43 lb) or one envelope, transparency, or cardstock. Load media with the top forward and the side to be printed facing up. To prevent jams and skewing, always adjust the side media guides before feeding the media.

150-sheet main input tray

The input tray holds up to 150 pages of 75 g/m² (20 lb) paper or fewer pages of heavier media of 25 mm (0.9 inches) or less stack height. Load media with the top forward and the side to be printed facing up. To prevent jams and skewing, always adjust the side and front media guides.

NOTE

When you add new media, make sure that you remove all of the media from the input tray and straighten the stack of new media. This helps prevent multiple sheets of media from feeding through the printer at one time, reducing media jams.

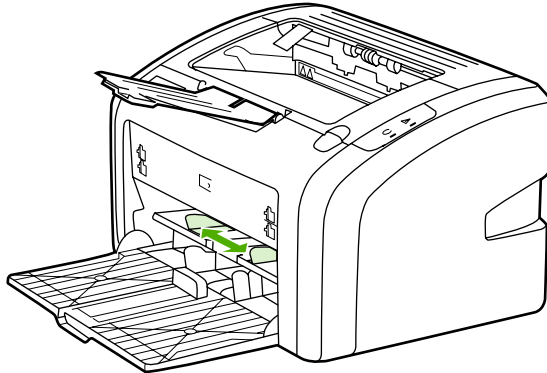
Printing an envelope

Only use envelopes that are recommended for laser printers. See [Printer media considerations](#) for more information.

NOTE

Use the priority feed slot for printing one envelope. Use the main input tray for printing multiple envelopes.

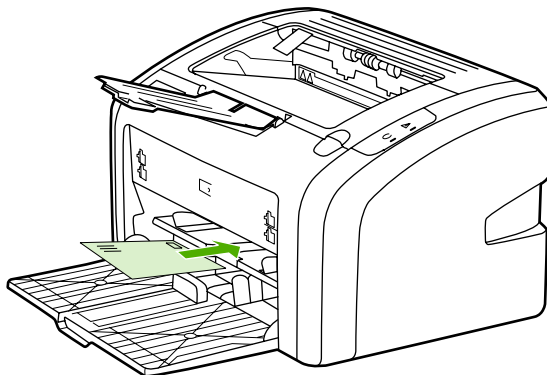
1. Before loading the envelope, slide the media guides outward to slightly wider than the envelopes.



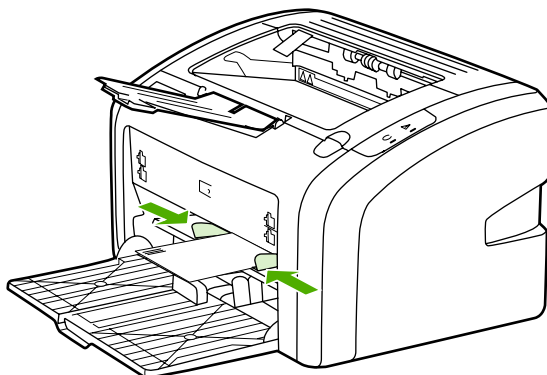
NOTE

If the envelope has a flap on the short edge, feed that edge into the printer first.

2. Place the envelope with the side to be printed facing up and the top edge along the left media guide.



3. Adjust the media guides to the width of the envelope.



4. Access the printer properties (or printing preferences in Windows 2000 and XP). See [Printer properties \(driver\)](#) for instructions.
5. On the **Paper/Quality** tab, select **Envelope** as the media type.

NOTE

Not all printer features are available in all drivers or operating systems. See the printer properties (driver) online Help for information about availability of features for that driver.

6. Print the envelope.

To print using manual feed, see [Manual feed](#).

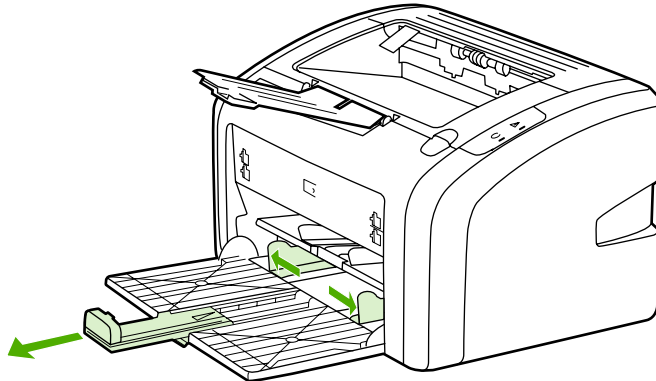
Printing multiple envelopes

Only use envelopes that are recommended for laser printers. See [Printer media considerations](#) for more information.

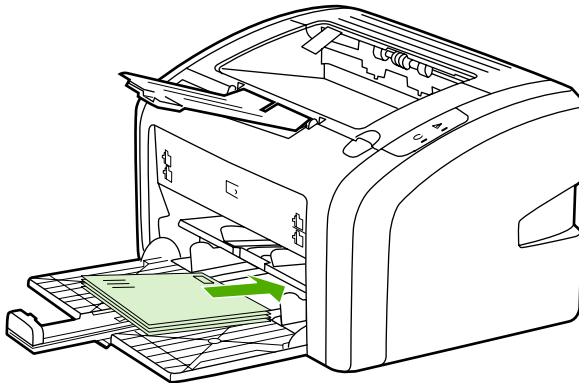
NOTE

Use the priority feed slot for printing one envelope. Use the main input tray for printing multiple envelopes.

1. Before loading the envelopes, slide the media guides outward to slightly wider than the envelopes.



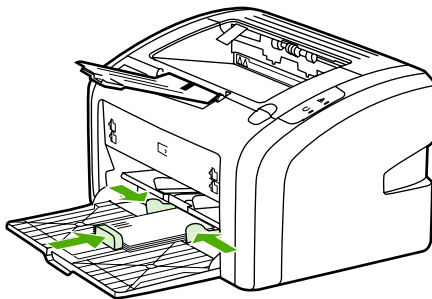
2. Place the envelopes with the side to be printed facing up and the top edge along the left media guide. Stack up to 15 envelopes.



NOTE

If the envelopes have a flap on the short edge, feed that edge into the printer first.

3. Adjust the media guides to the length and width of the envelopes.



4. Access the printer properties (or printing preferences in Windows 2000 and XP). See [Printer properties \(driver\)](#) for instructions.

NOTE

Not all printer features are available from all drivers or operating systems. See the printer properties (driver) online Help for information about availability of features for that driver.

5. On the **Paper/Quality** tab, select **Envelope** as the media type.
6. Print the envelopes.

Printing on transparencies or labels

Use only transparencies and labels that are recommended for use in laser printers, such as HP transparency film and HP LaserJet labels. See [Printer media considerations](#) for more information.

CAUTION

Be sure to set the correct media type in the printer settings as instructed below. The printer adjusts the fuser temperature according to the media type setting. When printing on special media such as transparencies or labels, this adjustment prevents the fuser from damaging the media as it passes through the printer.

CAUTION

Inspect the media to make sure that it is not wrinkled or curled and that it does not have any torn edges or missing labels.

1. Load a single page in the priority feed slot or load multiple pages in the main input tray. Make sure that the top of the media is forward and the side to be printed (rough side) is facing up.
2. Adjust the media guides.
3. Access the printer properties (or printing preferences in Windows 2000 and XP). See [Printer properties \(driver\)](#) for instructions.
4. On the **Paper/Quality** tab, choose the correct media type.
5. Print the document.

Printing on letterhead and preprinted forms

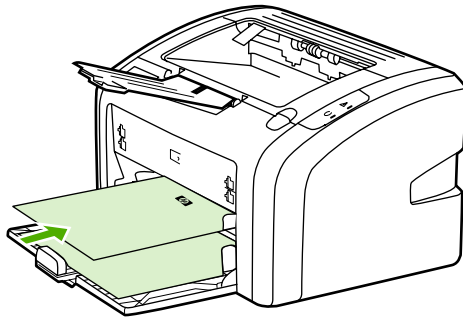
The HP LaserJet 1020 printer can print on letterhead and preprinted forms that can withstand temperatures of 200°C (392°F).

1. Load the paper with the top forward and the side to be printed facing up. Adjust the media guides to fit the width of the paper.
2. Access the printer properties (or printing preferences in Windows 2000 and XP). See [Printer properties \(driver\)](#) for instructions.
3. On the **Paper/Quality** tab, choose the correct media type.
4. Print the document.

To print using manual feed, see [Manual feed](#).

NOTE

To print a single-page cover letter on letterhead, followed by a multiple-page document, load the standard paper in the main input tray, and then feed the letterhead face up in the priority feed slot.



Printing on custom-size media and cardstock

The HP LaserJet 1020 printer can print on custom-size media or cardstock between 76 x 127 mm (3 x 5 inches) and 216 x 356 mm (8.5 x 14 inches).

Use the main input tray for multiple sheets. See [Main input tray](#) for the supported media sizes.

CAUTION

Make sure that the sheets are not stuck together before you load them.

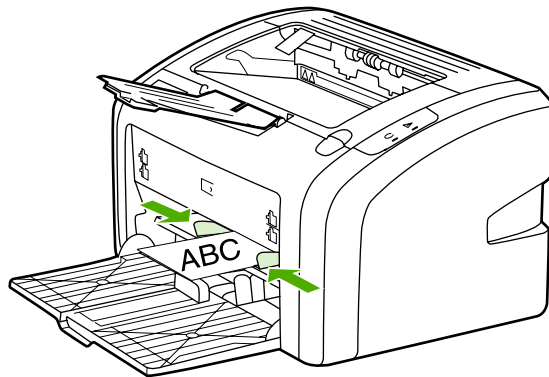
1. Load the media with the narrow side forward and the side to be printed facing up. Adjust the media guides to fit the media.
2. Access the printer properties (or printing preferences in Windows 2000 and XP). See [Printer properties \(driver\)](#) for instructions.
3. On the **Paper/Quality** tab, select the custom-size option. Specify the dimensions of the custom-size media.

NOTE

Not all printer features are available in all drivers or operating systems. See the printer properties (driver) online Help for information about availability of features for that driver.

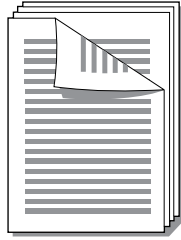
4. Print the document.

To print using manual feed, see [Manual feed](#).



Printing on both sides of the paper (manual two-sided printing)

To print on both sides of the paper (manual two-sided printing), you must run the paper through the printer twice.



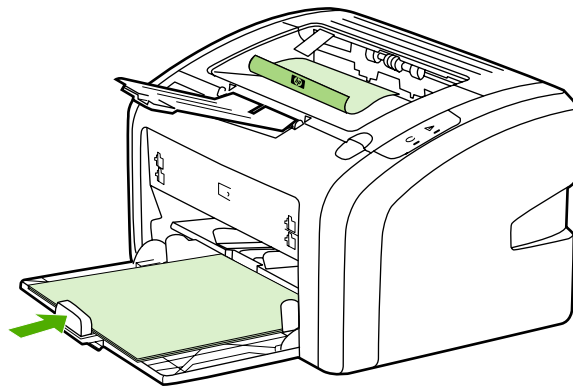
NOTE

Manual two-sided printing can cause the printer to become dirty, reducing print quality. See [Cleaning the printer](#) for instructions if the printer becomes dirty.

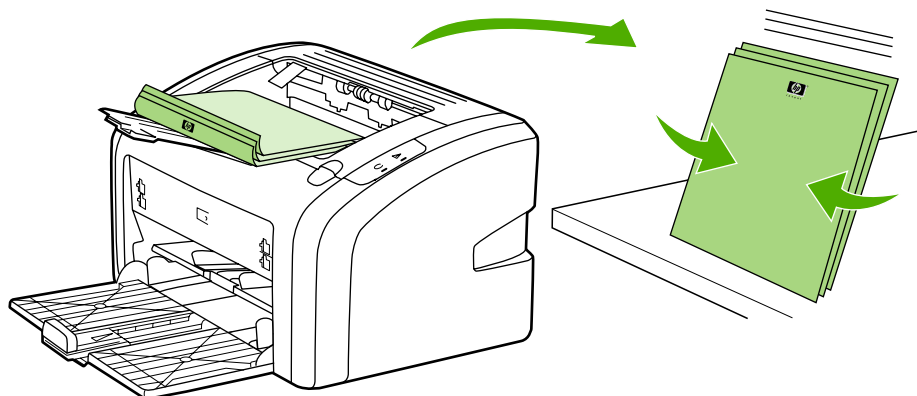
1. Access the printer properties (or printing preferences in Windows 2000 and XP). See [Printer properties \(driver\)](#) for instructions.
2. On the **Finishing** tab, select **Print On Both Sides (Manually)**. Select the appropriate binding option, and click **OK**.
3. Print the document.

NOTE

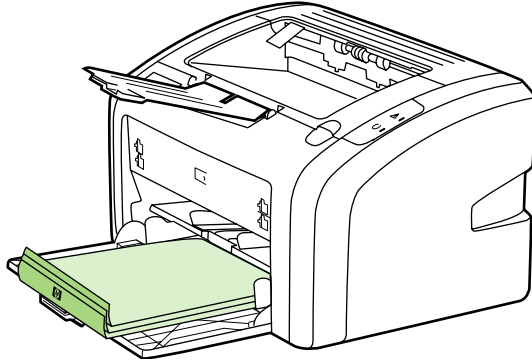
Not all printer features are available from all drivers or operating systems. See the printer properties (driver) online Help for information about availability of features for that driver.



4. After side one has printed, gather the printed pages, turn the printed side down, and straighten the stack.



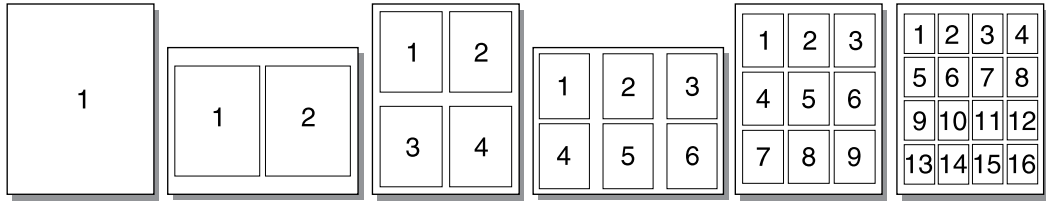
5. Place the stack back in the input tray. Side one should be facing down with the bottom edge feeding into the printer first.



6. Click **Continue** to print side two.

Printing multiple pages on a single sheet of paper (N-up printing)

You can select the number of pages that you want to print on a single sheet of paper. If you choose to print more than one page per sheet, the pages appear smaller and are arranged on the sheet in the order that they would otherwise be printed.



1. From your software application, access the printer properties (or printing preferences in Windows 2000 and XP). See [Printer properties \(driver\)](#) for instructions.
2. On the **Finishing** tab, select the correct number of pages per side.

NOTE

Not all printer features are available from all drivers or operating systems. See the printer properties (driver) online Help for information about availability of features for that driver.

3. (Optional steps) To include page borders, select the check box. To specify the order of pages printed on the sheet, select the order from the drop-down menu.
4. Print the document.

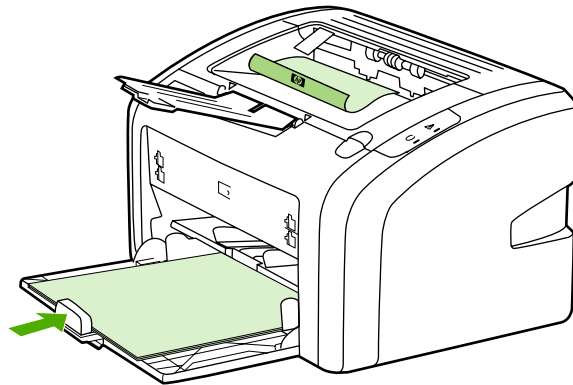
Printing booklets

You can print booklets on letter or A4 paper.

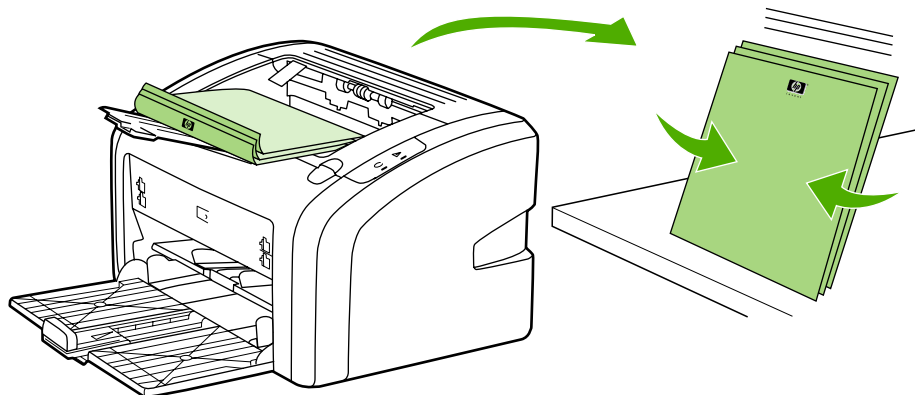
1. Load the paper in the main input tray.
2. Access the printer properties (or printing preferences in Windows 2000 and XP). See [Printer properties \(driver\)](#) for instructions.
3. On the **Finishing** tab, select the option to **Print On Both Sides (Manually)**. Select the appropriate binding option, and click **OK**. Print the document.

NOTE

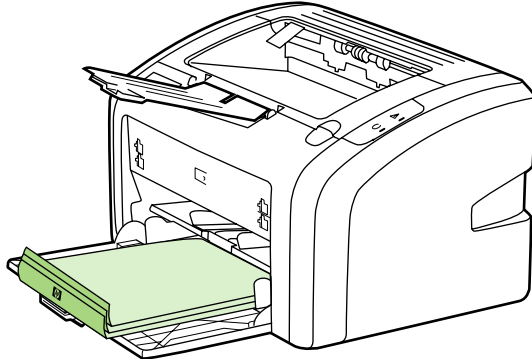
Not all printer features are available from all drivers or operating systems. See the printer properties (driver) online Help for information about availability of features for that driver.



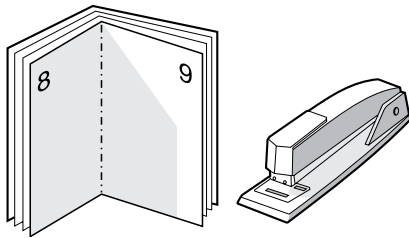
4. After side one has printed, gather the printed pages, turn the printed side down, and straighten the stack of paper.



5. Place the pages from side one back in the input tray. Side one should be facing down with the bottom edge feeding into the printer first.

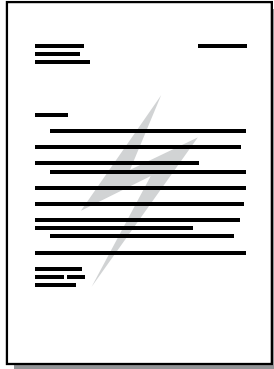


6. Print side two.
7. Fold and staple the pages.



Printing watermarks

You can use the watermark option to print text "underneath" (in the background) of an existing document. For example, you might want to have large gray letters reading *Draft* or *Confidential* printed diagonally across the first page or all of the pages of a document.



1. From your software application, access the printer properties (or printing preferences in Windows 2000 and XP). See [Printer properties \(driver\)](#) for instructions.
2. On the **Effects** tab, select the watermark you want to use.

NOTE

Not all printer features are available from all drivers or operating systems. See the printer properties (driver) online Help for information about availability of features for that driver.

3. Print the document.

3

Maintenance

This chapter provides information on the following topics:

- [Cleaning the printer](#)
- [Changing the pickup roller](#)
- [Cleaning the pickup roller](#)
- [Changing the printer separation pad](#)
- [Redistributing toner](#)
- [Changing the print cartridge](#)

Cleaning the printer

Clean the outside of the printer with a clean, damp cloth when necessary.

CAUTION

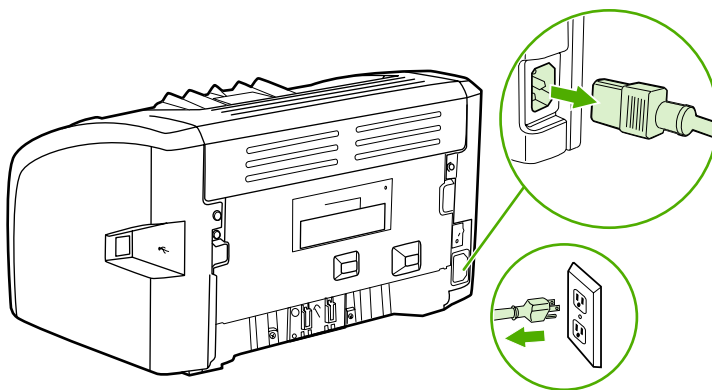
Do not use ammonia-based cleaners on or around the printer.

During the printing process, media, toner, and dust particles can accumulate inside the printer. Over time, this buildup can cause print quality problems, such as toner specks or smearing, and paper jams. To correct and prevent these types of problems, you can clean the print cartridge area and the printer media path.

Cleaning the print cartridge area

You do not need to clean the print cartridge area often. However, cleaning this area can improve the quality of your printed sheets.

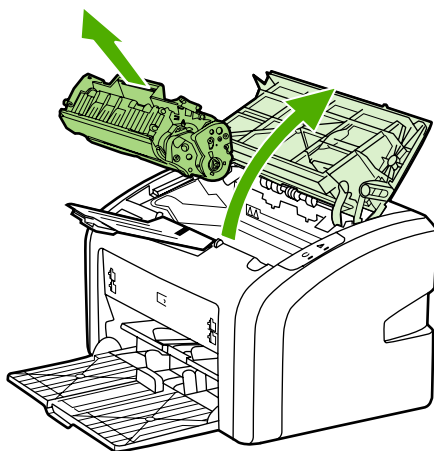
1. Turn the printer off, and then unplug the power cord. Wait for the printer to cool.



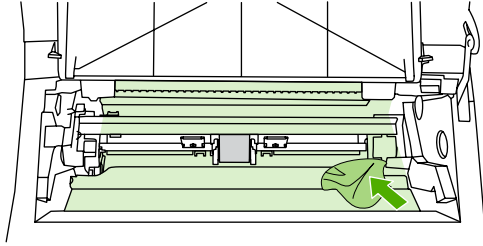
CAUTION

To prevent damage, do not expose the print cartridge to light. Cover the print cartridge if necessary. Also, do not touch the black sponge transfer roller inside the printer. By doing so, you can damage the printer.

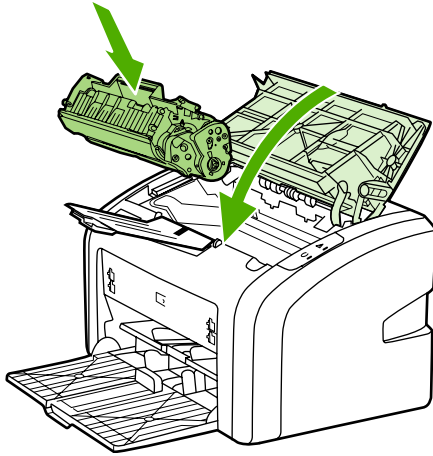
2. Open the print cartridge door, and remove the print cartridge.



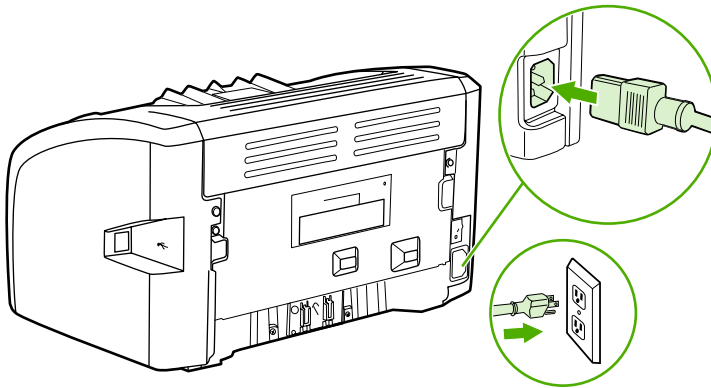
3. With a dry, lint-free cloth, wipe any residue from the media path area and the print cartridge cavity.



4. Replace the print cartridge, and close the print cartridge door.

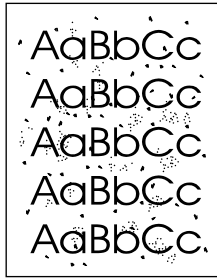


5. Plug the printer into the power outlet, and then turn on the printer.



Cleaning the printer media path

If you are experiencing toner specks or dots on the printouts, you can use the HP LaserJet cleaning utility to remove excess media and toner particles that can accumulate on the fuser assembly and rollers. Cleaning the media path might extend the life of the printer.



NOTE

For best results use a sheet of transparency. If you do not have any transparencies, you can use copier-grade media, 70 to 90 g/m² (18 to 24 lb), with a smooth surface.

1. Make sure that the printer is idle and the Ready light is on.
2. Load the media in the input tray.
3. Print a cleaning page. Access the printer properties (or printing preferences in Windows 2000 and XP). See [Printer properties \(driver\)](#) for instructions.

NOTE

The cleaning process takes approximately 3 minutes. The cleaning page will stop periodically during the cleaning process. Do not turn the printer off until the cleaning process has finished. You might need to repeat the cleaning process several times to thoroughly clean the printer.

Changing the pickup roller

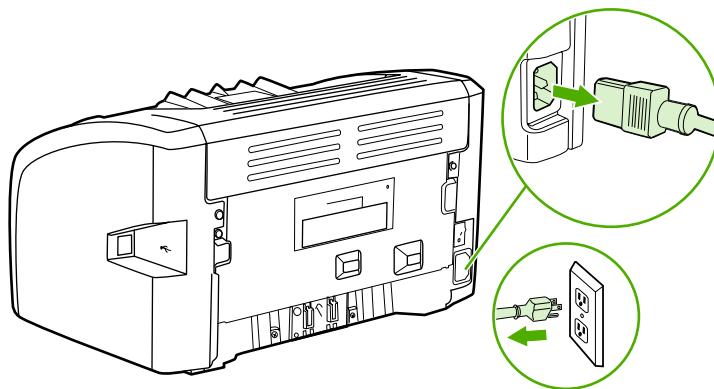
Normal use with good media causes wear. The use of poor media might require more frequent replacement of the pickup roller.

If the printer regularly mispicks (no media feeds through), you might need to change or clean the pickup roller. See [Ordering supplies](#) to order a new pickup roller.

CAUTION

Failure to complete this procedure might damage the printer.

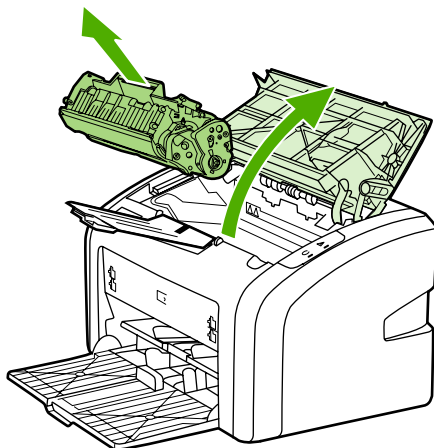
1. Turn the printer off, and then unplug the power cord from the printer. Wait for the printer to cool.



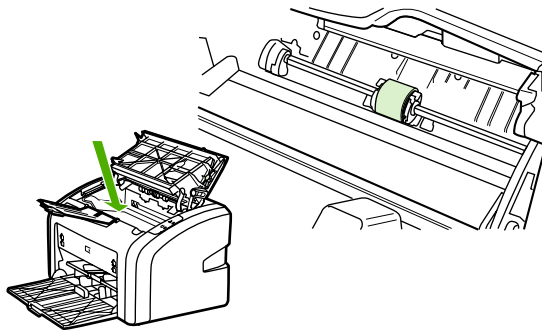
CAUTION

To prevent damage to the print cartridge, minimize its exposure to direct light. Cover the print cartridge with a sheet of paper.

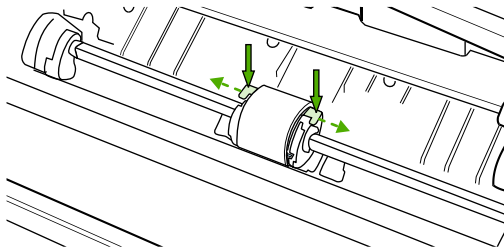
2. Open the print cartridge door, and remove the print cartridge.



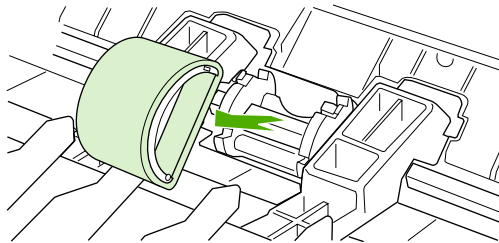
3. Find the pickup roller.



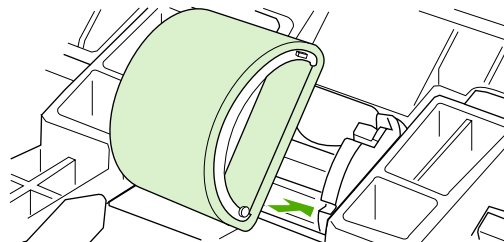
4. Release the small, white tabs on either side of the pickup roller, and rotate the pickup roller toward the front.



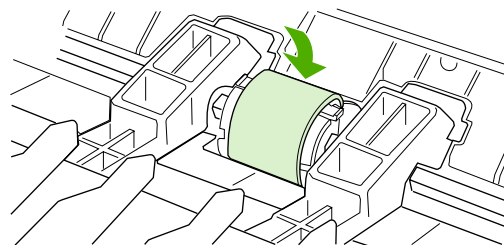
5. Gently pull the pickup roller up and out.



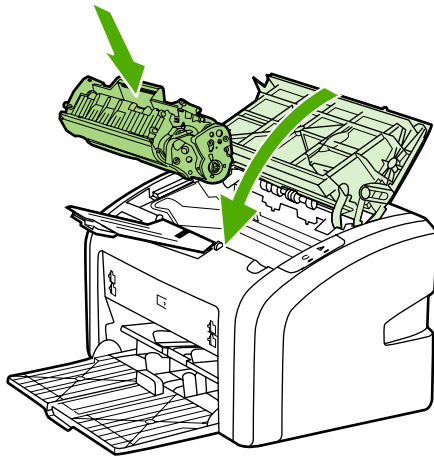
6. Position the new pickup roller in the slot. The circular and rectangular slots on each side will prevent you from installing the roller incorrectly.



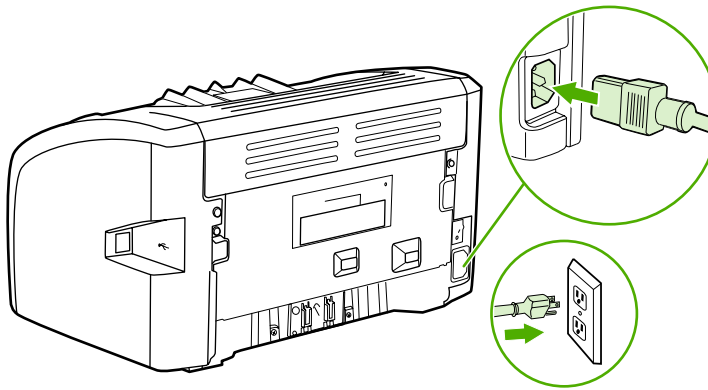
7. Rotate the top of the new pickup roller away from you until both sides snap into place.



8. Reinstall the print cartridge, and close the print cartridge door.



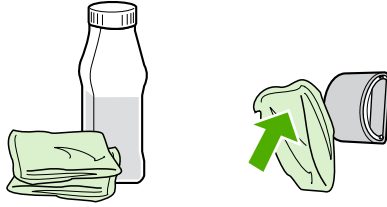
9. Plug the printer into the power outlet, and then turn on the printer.



Cleaning the pickup roller

If you want to clean the pickup roller rather than replace it, follow the instructions below:

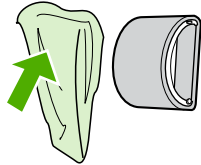
1. Remove the pickup roller as described in steps 1 through 5 of [Changing the pickup roller](#).
2. Dab a lint-free cloth in isopropyl alcohol, and scrub the roller.



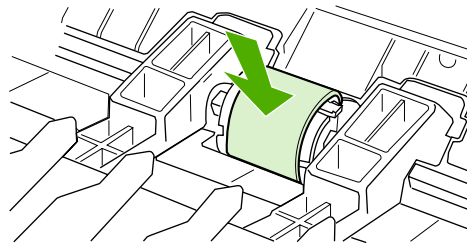
WARNING!

Alcohol is flammable. Keep the alcohol and cloth away from an open flame. Before you close the printer and plug in the power cord, allow the alcohol to dry completely.

3. Using a dry, lint-free cloth, wipe the pickup roller to remove loosened dirt.



4. Allow the pickup roller to dry completely before you reinstall it in the printer (see [Changing the pickup roller](#)).



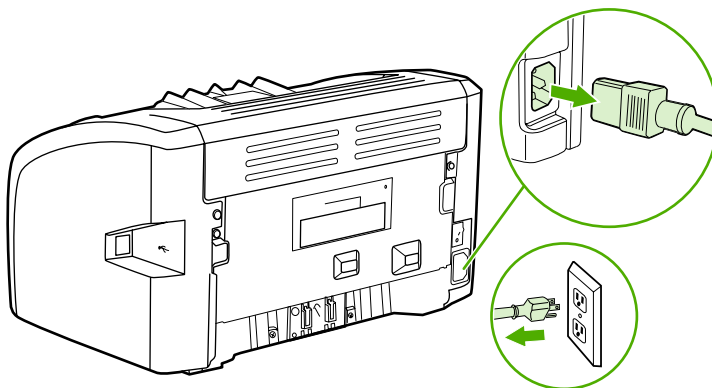
Changing the printer separation pad

Normal use with good media causes wear. The use of poor media might require more frequent replacement of the separation pad. If the printer regularly pulls multiple sheets of media at a time, you might need to change the separation pad. See [Ordering supplies](#) to order a new printer separation pad.

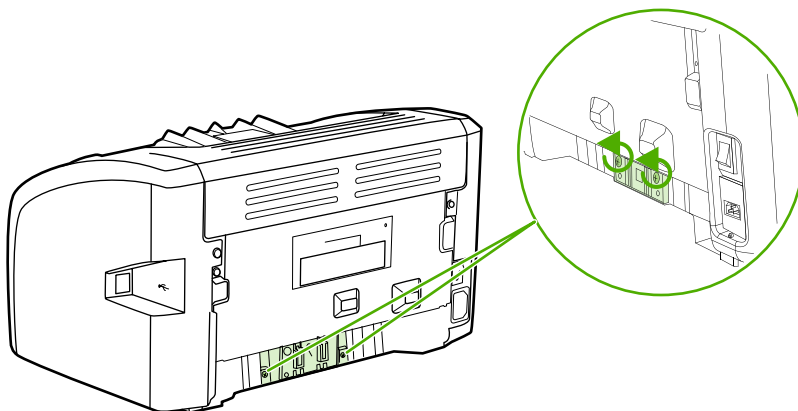
NOTE

Before you change the separation pad, clean the pickup roller. See [Cleaning the pickup roller](#).

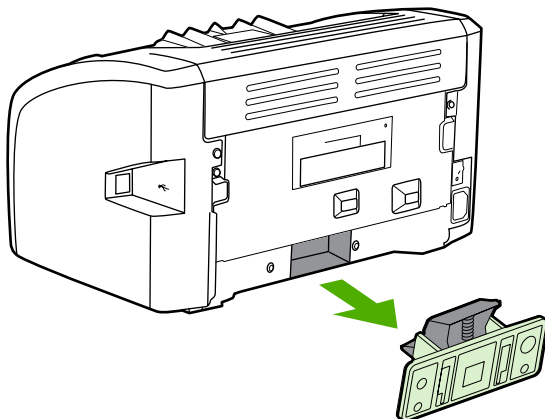
1. Turn the printer off, and then unplug the power cord from the printer. Wait for the printer to cool.



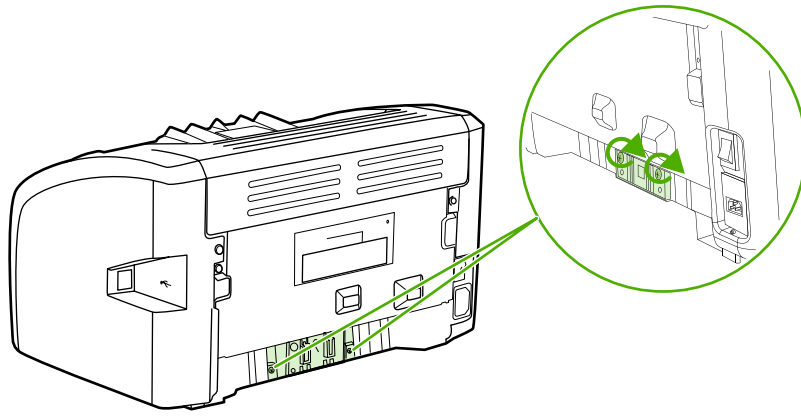
2. At the back of the printer, unscrew the two screws holding the separation pad in place.



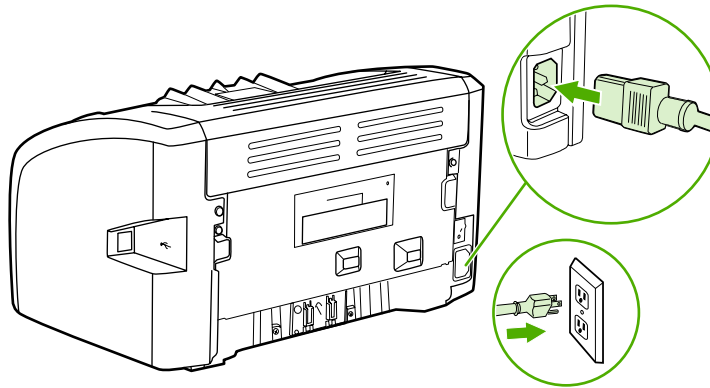
3. Remove the separation pad.



4. Insert the new separation pad, and screw it into place.



5. Plug the printer into the power outlet, and turn on the printer.



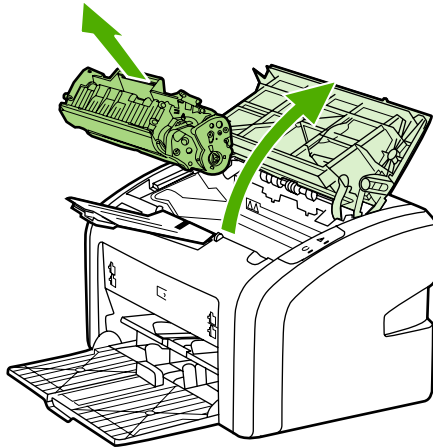
Redistributing toner

When toner is low, faded or light areas appear on the printed page. You might be able to temporarily improve print quality by redistributing the toner, which means that you might be able to finish the current print job before replacing the print cartridge.

CAUTION

To prevent damage to the print cartridge, minimize its exposure to direct light. Cover the print cartridge with a sheet of paper.

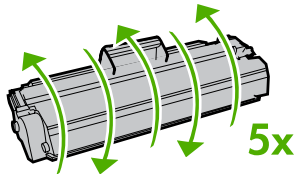
1. Open the print cartridge door, and remove the print cartridge from the printer.



CAUTION

To prevent damage to the print cartridge, hold the print cartridge at each end.

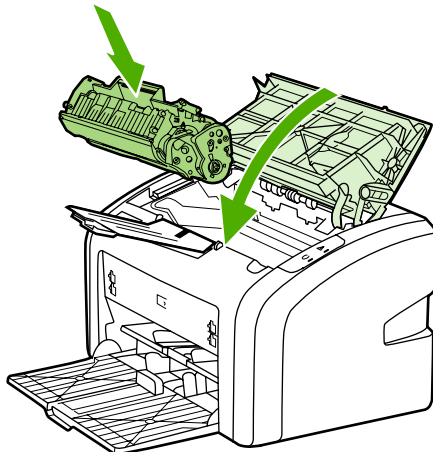
2. To redistribute the toner, gently rock the print cartridge from front to back.



CAUTION

If toner gets on your clothing, wipe it off with a dry cloth and wash the clothing in cold water. *Hot water sets toner into the fabric.*

3. Reinsert the print cartridge into the printer, and close the print cartridge door.



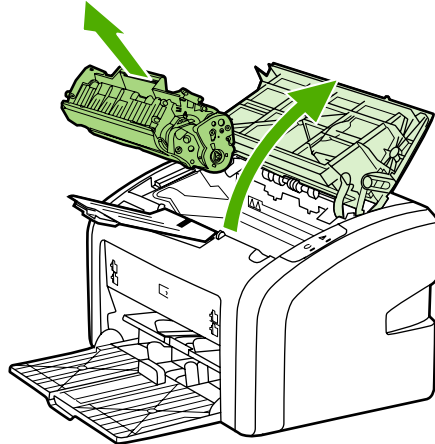
If the print is still light, install a new print cartridge. See [Changing the print cartridge](#) for instructions.

Changing the print cartridge

CAUTION

To prevent damage to the print cartridge, minimize its exposure to direct light. Cover the print cartridge with a sheet of paper.

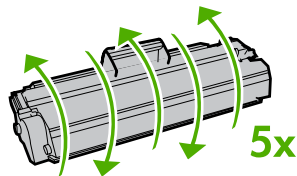
1. Open the print cartridge door, and remove the old print cartridge. See the recycling information inside the print cartridge box.



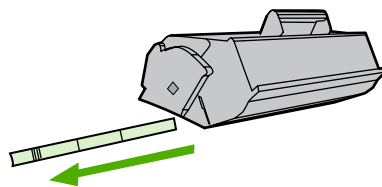
CAUTION

To prevent damage to the print cartridge, hold the print cartridge at each end.

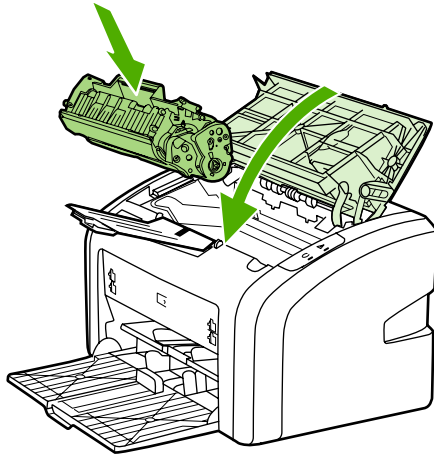
2. Remove the new print cartridge from the packaging, and gently rock the print cartridge from front to back to distribute the toner evenly inside the cartridge.



3. Pull the tab until all the tape is removed from the print cartridge. Put the tab in the print cartridge box to return for recycling.



4. Insert the new print cartridge in the printer, making sure that the print cartridge is in position. Close the print cartridge door.



CAUTION

If toner gets on your clothing, wipe it off with a dry cloth and wash the clothing in cold water.
Hot water sets toner into the fabric.

4

Problem solving

This chapter provides information on the following topics:

- [Finding the solution](#)
- [Status light patterns](#)
- [Paper handling problems](#)
- [Printed page is different than what appeared on screen](#)
- [Printer software problems](#)
- [Improving print quality](#)
- [Clearing jams](#)

Finding the solution

You can use this section to find the solution to common printer problems.

Step 1: Is the printer set up correctly?

- Is the printer plugged into a power outlet that is known to work?
- Is the on/off switch in the on position?
- Is the print cartridge properly installed? See [Changing the print cartridge](#).
- Is paper properly loaded in the input tray? See [Loading media into the input trays](#).

Yes	If you answered yes to the questions above, go to Step 2: Is the Ready light on?
No	If the printer will not turn on, Contact HP support .

Step 2: Is the Ready light on?

Do the control panel lights look like this picture?



NOTE

See [Printer control panel](#) for a description of the lights on the control panel.

Yes	Go to Step 3: Can you print a Printer Test page?
No	If the control panel lights do not look like the picture above, see Status light patterns . If you are unable to resolve the problem, Contact HP support .

Step 3: Can you print a Printer Test page?

Print a Printer Test page.

Yes	If the Demo page printed, go to Step 4: Is the print quality acceptable?
No	If no paper came out, see Paper handling problems . If you are unable to resolve the problem, Contact HP support .

Step 4: Is the print quality acceptable?

Yes	If the print quality is acceptable, go to Step 5: Is the printer communicating with the computer?
No	<p>If the print quality is poor, see Improving print quality.</p> <p>Verify that the print settings are correct for the media you are using. See Choosing paper and other media for information on adjusting the settings for various types of media.</p> <p>If you are unable to resolve the problem, Contact HP support.</p>

Step 5: Is the printer communicating with the computer?

Try printing a document from a software application.

Yes	If the document prints, go to Step 6: Does the printed page look like you expected?
No	<p>If the document does not print, see Printer software problems.</p> <p>If you are unable to resolve the problem, Contact HP support.</p>

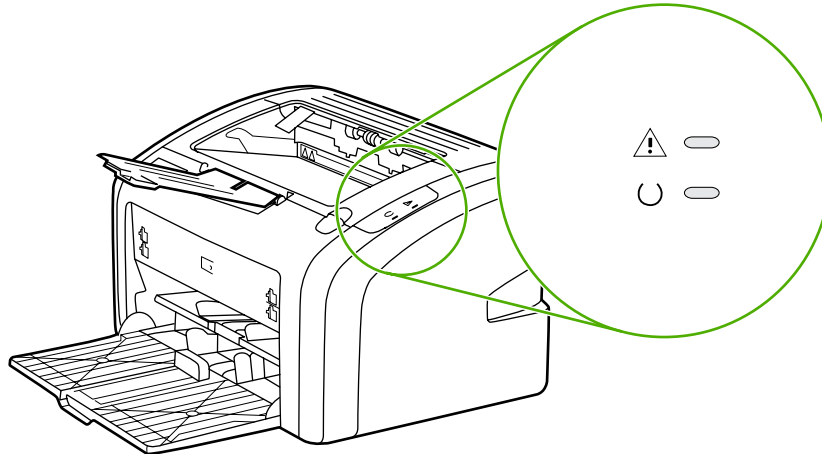
Step 6: Does the printed page look like you expected?

Yes	The problem should be resolved. If it is not resolved, Contact HP support .
No	<p>See Printed page is different than what appeared on screen.</p> <p>If you are unable to resolve the problem, Contact HP support.</p>

Contact HP support

- In the United States, see <http://www.hp.com/support/lj1020/> for the HP LaserJet 1020 printer.
- In other locations, see <http://www.hp.com>.

Status light patterns







Light status legend

	Symbol for "light off"
	Symbol for "light on"
	Symbol for "light blinking"

Control panel light message

Light status	State of the printer	Action
	Ready The printer is ready to print.	No action is necessary.
	Processing data The printer is receiving or processing data.	Wait for the job to print. To cancel the current job, press the CANCEL button.
	Cleaning mode A Cleaning page or a Printer Test page is printing.	Wait until the Cleaning page is finished printing and the printer is in the Ready state. This could take up to two minutes. Wait until the Printer Test page is finished printing and the printer is in Ready state.
	Out of memory The printer is out of memory.	The page you are printing might be too complex for the printer's memory capacity. Try lowering the resolution. See Understanding print quality settings for more information.

Control panel light message (continued)

Light status	State of the printer	Action
	<p>Attention: door open, media out, no print cartridge, or media jam</p> <p>This printer is in an error state that requires operator intervention.</p>	<p>Check the following:</p> <ul style="list-style-type: none"> • The print cartridge door is completely closed. • Media is loaded. See Loading media into the input trays for instructions. • The print cartridge is correctly installed in the printer. See Changing the print cartridge for instructions. • There is no media jam. See Clearing jams for instructions.
	<p>Printer initialization</p> <p>A printer initialization is taking place.</p>	<p>No action is necessary.</p>
	<p>Fatal error</p> <p>All lights are on.</p>	<p>Unplug the printer for 30 minutes, and then plug the printer back in power outlet.</p> <p>If the printer still has an error, contact HP Support. See Contact HP support.</p>
	<p>All lights are off.</p>	<p>Make sure that there is power.</p> <p>Unplug both ends of the power cord, and then plug the power cord back into the printer and the power outlet.</p>

Return to [Finding the solution](#).

Paper handling problems

Choose the item that best describes the problem:

- [Media jam](#)
- [Print is skewed \(crooked\)](#)
- [More than one sheet of media feeds through the printer at one time](#)
- [Printer does not pull media from the media input tray](#)
- [Printer curled the media](#)
- [Print job is extremely slow](#)

Media jam

- See [Clearing jams](#) for more information.
- Make sure that you are printing with media that meets specifications. See [Printer media considerations](#) for more information.
- Do not print on used paper.
- Make sure that you are printing with media that is not wrinkled, folded, or damaged.
- Make sure that the printer is clean. See [Cleaning the printer](#) for more information.

Print is skewed (crooked)

A small amount of skew is normal and might become obvious when using preprinted forms.

- See [Page skew](#) for more information.
- Adjust the media guides to the width and length of the media that you are using and try reprinting. See [Media paths](#) or [Loading media into the input trays](#) for more information.

More than one sheet of media feeds through the printer at one time

- The media input tray might be too full. See [Loading media into the input trays](#) for more information.
- Make sure that the media is not wrinkled, folded, or damaged.
- Try paper from a new ream. Do not fan the paper before loading it into the input tray.
- The printer separation pad might be worn. See [Changing the printer separation pad](#) for more information.

Printer does not pull media from the media input tray

- Make sure that the printer is not in manual feed mode.
- Make sure that the media guides are adjusted properly.
- The pickup roller might be dirty or damaged. See [Cleaning the pickup roller](#) or [Changing the pickup roller](#) for instructions.

Printer curled the media

- See [Curl or wave](#) for more information.
- See [Media paths](#) or [Choosing paper and other media](#) for more information.

Print job is extremely slow

The maximum speed of the printer is up to 14 ppm for A4 media and 15 ppm for letter media for the HP LaserJet 1020 printer. Your print job might be very complex. Try the following:

- Reduce the complexity of your document (for example, reduce the number of multiple graphics).
- Access the printer properties in the printer driver. See [Printer properties \(driver\)](#) for instructions. Set the media type to plain paper.

NOTE

This may cause toner to fuse improperly if you are using heavy media.

- Narrow media or heavy media will slow printing. Use normal media.
- Print speed is based on computer processor speed, the amount of memory, and the amount of hard disk space available on your computer. Try increasing these components.

Return to [Finding the solution](#).

Printed page is different than what appeared on screen

Choose the item that best describes the problem:

- [Garbled, incorrect, or incomplete text](#)
- [Missing graphics or text, or blank pages](#)
- [Page format is different than on another printer](#)
- [Graphics quality](#)

NOTE

To preview a print job, use the **Print Preview** option in the software application (if available).

Garbled, incorrect, or incomplete text

- If a specific file prints garbled text, there might be a problem with that specific file. If a specific application prints garbled text, there might be a problem with that application. Make sure that the appropriate printer driver is selected.
- There might be a problem with your software application. Try printing from another software application.
- The USB cable might be loose or defective. Try the following:

WARNING!

Before you connect the USB cable to the printer, always unplug the printer to prevent damage to the printer.

- Disconnect the cable and reconnect it at both ends.
- Try printing a job that you know works.
- If possible, attach the cable and printer to another computer, and try printing a job that you know works.
- Turn off the printer and the computer. Remove the USB cable, and inspect both ends of the cable for damage. Reconnect the USB cable, making sure that the connections are tight. Make sure that the printer is directly connected to the computer. Remove any switchboxes, tape backup drives, security keys, or any other devices that are attached between the USB port on the computer and the printer. These devices can sometimes interfere with communication between the computer and the printer. Restart the printer and the computer.

Missing graphics or text, or blank pages

- Make sure that your file does not contain blank pages.
- The sealing tape might still be in the print cartridge. Remove the print cartridge, and pull the tab on the end of the cartridge until the entire length of the tape is removed. Reinstall the print cartridge. See [Changing the print cartridge](#) for instructions.
- The graphic settings in the printer properties might not be correct for the type of job that you are printing. Try a different graphic setting in the printer properties. See [Printer properties \(driver\)](#) for more information.
- Clean the printer, particularly the contacts between the print cartridge and the power supply.

Page format is different than on another printer

If you used an older or different printer driver (printer software) to create the document or the printer properties settings in the software are different, the page format might change when you try to print using your new printer driver or settings. To help eliminate this problem, try the following:

- Create documents and print them using the same printer driver (printer software) and printer properties settings regardless of which HP LaserJet printer you use to print them.
- Change the resolution, paper size, font settings, and other settings. See [Printer properties \(driver\)](#) for more information.

Graphics quality

The graphics settings might be unsuitable for your print job. Check the graphic settings, such as resolution, in the printer properties and adjust them as necessary. See [Printer properties \(driver\)](#) for more information.

NOTE

Some resolution might be lost when converting from one graphics format to another.

Return to [Finding the solution](#).

Printer software problems

Printer software problems

Problem	Solution
A printer driver for the HP LaserJet 1020 printer is not visible in the Printer folder.	<ul style="list-style-type: none">● Restart the computer.● Reinstall the printer software. In the Windows task bar, click Start, select Programs, select HP, select HP LaserJet 1020 series, and click Uninstall HP LaserJet 1020 series. Turn the printer off. Install the printer software from the CD. Turn the printer back on. <hr/> <p>NOTE</p> <p>Close any applications that are running. To close an application that has an icon in the system tray, right-click the icon, and select Close or Disable.</p> <hr/> <ul style="list-style-type: none">● Try plugging the USB cable into a different USB port on the computer.● If you are trying to print to a shared printer, in the Windows task bar, click Start, select Settings, and select Printers. Double-click the Add Printer icon. Follow the instructions in the Add Printer Wizard.
An error message was displayed during the software installation.	<ul style="list-style-type: none">● Restart the computer.● Reinstall the printer software. In the Windows task bar, click Start, select Programs, select HP, select HP LaserJet 1020 series, and click Uninstall HP LaserJet 1020 series. Turn the printer off. Install the printer software from the CD. Turn the printer back on. <hr/> <p>NOTE</p> <p>Close any applications that are running. To close an application that has an icon in the task bar, right-click the icon, and select Close or Disable.</p> <hr/> <ul style="list-style-type: none">● Check the amount of free space on the drive where you are installing the printer software. If necessary, free up as much space as you can, and reinstall the printer software.● If necessary, run the Disk Defragmenter, and reinstall the printer software.

Printer software problems (continued)

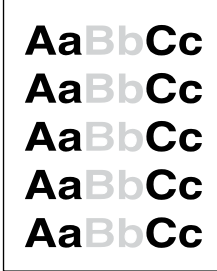
Problem	Solution
The printer is in Ready mode, but nothing prints.	<ul style="list-style-type: none">● Restart the computer.● Verify that all of the cables are properly seated and within specifications. This includes the USB and power cables. Try a new cable.● Reinstall the printer software. In the Windows task bar, click Start, select Programs, select HP, select HP LaserJet 1020 series, and click Uninstall HP LaserJet 1020 series. Turn the printer off. Install the printer software from the CD. Turn the printer back on. <hr/> <p>NOTE</p> <p>Close any applications that are running. To close an application that has an icon in the task bar, right-click the icon, and select Close or Disable.</p>

Return to [Finding the solution](#).

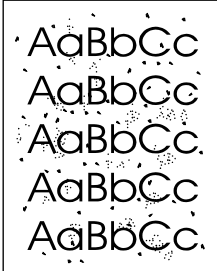
Improving print quality

This section provides information about identifying and correcting print defects.

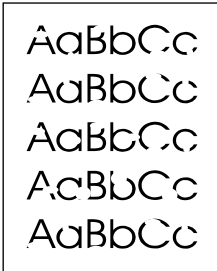
Light or faded print

	<ul style="list-style-type: none">• The toner supply is low. See Redistributing toner for more information.• The media might not meet HP's media specifications (for example, the media is too moist or too rough). See Printer media considerations for more information.• If the whole page is light, the print density adjustment is too light or EconoMode might be turned on. Adjust the print density, and disable EconoMode in the printer properties. See Saving toner for more information.
---	--

Toner specks

	<ul style="list-style-type: none">• The media might not meet HP's media specifications (for example, the media is too moist or too rough). See Printer media considerations for more information.• The printer might need to be cleaned. See Cleaning the printer or Cleaning the printer media path for instructions.
--	---

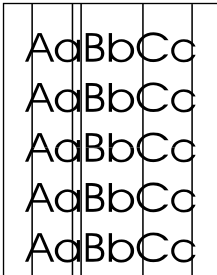
Dropouts

	<ul style="list-style-type: none">• A single sheet of media might be defective. Try reprinting the job.• The media's moisture content is uneven or the media has moist spots on its surface. Try printing with new media. See Printer media considerations for more information.• The media lot is bad. The manufacturing processes can cause some areas to reject toner. Try a different type or brand of media.• The print cartridge might be defective. See Changing the print cartridge for more information.
---	--

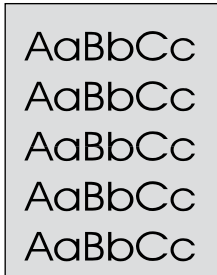
NOTE

If these steps do not correct the problem, contact an HP-authorized dealer or service representative.


Vertical lines

	<ul style="list-style-type: none">• The photosensitive drum inside the print cartridge has probably been scratched. Install a new HP print cartridge. See Changing the print cartridge for instructions.
---	--

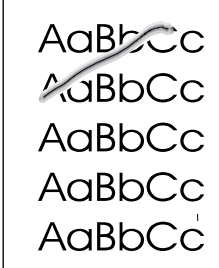
Gray background

	<ul style="list-style-type: none">• Decrease the print density setting through printer properties. This decreases the amount of background shading. See Printer properties (driver).• Change the media to a lighter basis weight. See Printer media considerations for more information.• Check the printer's environment. Very dry (low humidity) conditions can increase the amount of background shading.• Install a new HP print cartridge. See Changing the print cartridge for instructions.
--	---

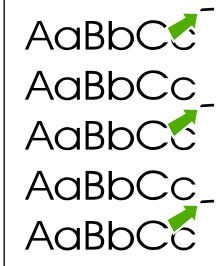
Toner smear

	<ul style="list-style-type: none">• If toner smears appear on the leading edge of the media, the media guides might be dirty. Wipe the media guides with a dry, lint-free cloth. See Cleaning the printer for more information.• Check the media type and quality.• Install a new HP print cartridge. See Changing the print cartridge for instructions.• The fuser temperature might be too low. In your printer driver, make sure that the appropriate media type is selected.
---	---

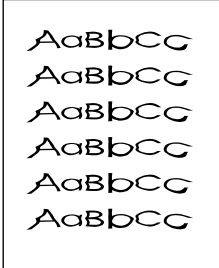
Loose toner

	<ul style="list-style-type: none">• Clean the inside of the printer. See Cleaning the printer for instructions.• Check the media type and quality. See Printer media considerations for more information.• Install a new HP print cartridge. See Changing the print cartridge for instructions.• In your printer driver, make sure that the appropriate media type is selected.• Plug the printer directly into an AC outlet instead of into a power strip.
---	---

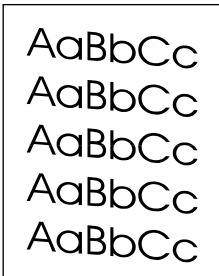
Vertical repetitive defects

	<ul style="list-style-type: none">• The print cartridge might be damaged. If a repetitive mark occurs at the same spot on the page, install a new HP print cartridge. See Changing the print cartridge for instructions.• The internal parts might have toner on them. See Cleaning the printer for more information. If the defects occur on the back of the page, the problem will probably correct itself after a few more printed pages.• In your printer driver, make sure that the appropriate media type is selected.
--	--

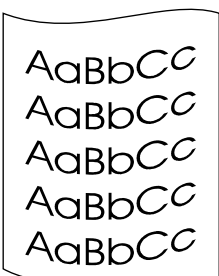
Misformed characters

	<ul style="list-style-type: none">• If characters are improperly formed, producing hollow images, the media stock might be too slick. Try a different media. See Printer media considerations for more information.• If characters are improperly formed, producing a wavy effect, the printer might need service. Print a Printer Test page. If the characters are improperly formed, contact an HP-authorized dealer or service representative. See How to contact HP for more information.
---	--

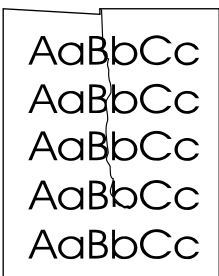
Page skew

	<ul style="list-style-type: none">• Make sure that the media is loaded correctly and the media guides are not too tight or too loose against the media stack. See Loading media into the input trays for more information.• The input bin might be too full. See Loading media into the input trays for more information.• Check the media type and quality. See Printer media considerations for more information.
---	---

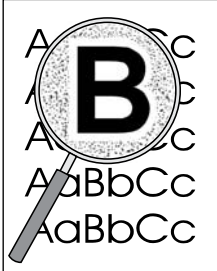
Curl or wave

	<ul style="list-style-type: none">• Check the media type and quality. Both high temperature and humidity cause media to curl. See Printer media considerations for more information.• The media might have been in the input tray too long. Turn over the stack of media in the tray. Also, try rotating the media 180° in the input tray.• The fuser temperature might be too high. In your printer driver, make sure that the appropriate media type is selected. If the problem persists, select a media type that uses a lower fuser temperature, such as transparencies or light media.
--	--

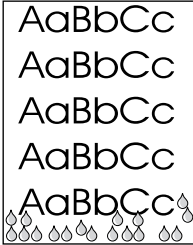
Wrinkles or creases

	<ul style="list-style-type: none">• Make sure that media is loaded properly. See Loading media into the input trays for more information.• Check the media type and quality. See Printer media considerations for more information.• Turn over the stack of media in the tray. Also, try rotating the media 180° in the input tray.• For envelopes, this can be caused by air pockets inside the envelope. Remove the envelope, flatten the envelope, and try printing again.
---	--

Toner scatter outline

	<ul style="list-style-type: none">• If large amounts of toner have scattered around the characters, the media might be resisting the toner. (A small amount of toner scatter is normal for laser printing.) Try a different media type. See Printer media considerations for more information.• Turn over the stack of media in the tray.• Use media designed for laser printers. See Printer media considerations for more information.
---	--

Water droplets on bottom edge

	<p>NOTE</p> <p>Moisture in the printer is condensing on the fuser assembly and dropping onto the media. In excessively hot and humid areas, media retains moisture. Water droplets do not damage the printer.</p> <ul style="list-style-type: none">• Use different media.• Store media in an airtight container to minimize absorption of moisture.
---	--

Return to [Finding the solution](#).

Clearing jams

CAUTION

To prevent damage to the printer when clearing jams, including jams in the output bin, always open the print cartridge door and remove the print cartridge. Keep the door open and the cartridge out until the jam has been cleared. Opening the print cartridge door and removing the print cartridge relieves tension on the printer rollers, which prevents damage to the printer and makes the removal of jammed pages easier.

Occasionally, media becomes jammed during a print job. You are notified of a media jam by an error from the software and the printer control panel lights. See [Status light patterns](#) for more information.

The following are some of the causes of media jams:

- The input trays are loaded improperly or are too full. See [Loading media into the input trays](#) for more information.

NOTE

When you add new media, always remove all of the media from the input tray and straighten the stack of new media. This helps prevent multiple sheets of media from feeding through the printer at one time, reducing media jams.

- The media does not meet HP specifications. See [Printer media considerations](#) for more information.

Typical media jam locations

- **Print cartridge area:** See [Removing a jammed page](#) for instructions.
- **Input tray areas:** If the page is still sticking out of the input tray, gently try to remove it from the input tray without tearing the page. If you feel resistance, see [Removing a jammed page](#) for instructions.
- **Output path:** If the page is sticking out of the output bin, see [Removing a jammed page](#) for instructions.

NOTE

There might be loose toner in the printer after a media jam. This toner clears up after a few sheets are printed.

Removing a jammed page

CAUTION

Media jams might result in loose toner on the page. If you get any toner on your clothes, wash them in cold water. *Hot water will permanently set the toner into the fabric.*

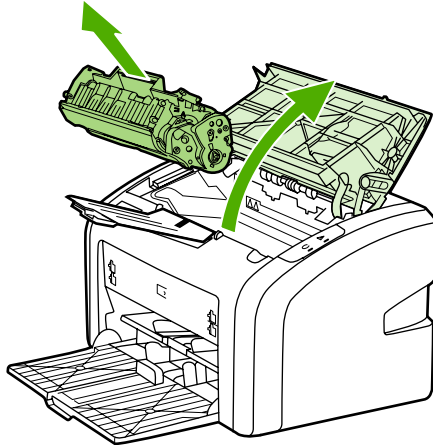
CAUTION

To prevent damage to the printer when clearing jams, including jams in the output bin, always open the print cartridge door and remove the print cartridge.

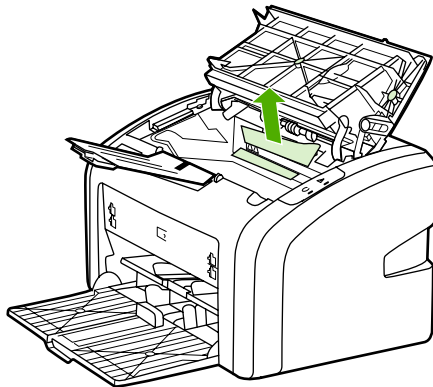
CAUTION

To prevent damage to the print cartridge, minimize its exposure to direct light. Cover the print cartridge with a sheet of paper.

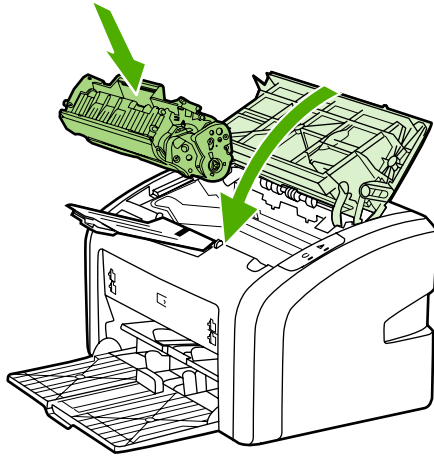
1. Open the print cartridge door, and remove the print cartridge.



2. With both hands, grasp the side of the media that is most visible (this includes the middle), and carefully pull it free from the printer.



3. When you have removed the jammed media, replace the print cartridge, and close the print cartridge door.



After clearing a media jam, you might need to turn the printer off and turn it back on again.

NOTE

When you add new media, remove all of the media from the input tray and straighten the stack of new media.

Return to [Finding the solution](#).

A

Printer specifications

This appendix provides information on the following topics:

- [Environmental specifications](#)
- [Acoustic emissions](#)
- [Electrical specifications](#)
- [Physical specifications](#)
- [Printer capacities and ratings](#)
- [Memory specifications](#)

Environmental specifications

Operating environment	Install in a well-ventilated, dust-free area. Printer plugged into an AC outlet: <ul style="list-style-type: none">• Temperature: 10°C to 32.5°C (50°F to 90.5°F)• Humidity: 20% to 80% (no condensation)
Storage environment	Printer unplugged from an AC outlet: <ul style="list-style-type: none">• Temperature: 0°C to 40°C (32°F to 104°F)• Humidity: 10% to 80% (no condensation)

NOTE

Values are current as of April 1, 2004. Values are subject to change without notice. See <http://www.hp.com/support/lj1020/> for current information.

Acoustic emissions

Acoustic emissions^{1, 2}

Sound power level	Declared per ISO 9296
Printing ³	$L_{WAd} = <6.2$ Bels (A) and 62dB (A)
Ready (PowerSave)	Inaudible
Sound pressure level, bystander position	Declared Per ISO 9296
Printing ³	$L_{WAd} = \leq 4.9$ Bels (A) and 49dB (A)
Ready (PowerSave)	Inaudible

¹Values are subject to change without notice. See <http://www.hp.com/support/lj1020/> for current information.

²Configuration tested: HP LaserJet 1020 base unit, standard tray, A4 paper, and simplex continuous print.

³HP LaserJet 1020 speed is 14 ppm for A4 media and 15 ppm for letter media.

Electrical specifications

WARNING!

Power requirements are based on the country/region where the printer is sold. Do not convert operating voltages. Doing so might damage the printer and void the product warranty.

	110-volt models	230-volt models
Power requirements	110-127v (+/-10%) 50/60 Hz (+/-2 Hz)	220v-240v (+/-10%) 50/60 Hz (+/-2 Hz)
Rated current	3.5 amps	2.0 amps

Power consumption (average, in watts)^{1, 2}

Product model	Printing ⁴	Ready ³	Off
HP LaserJet 1020	250 W	2 W	0 W

¹Values are subject to change without notice. See <http://www.hp.com/support/lj1020/> for current information.

²Power reported is the highest value measured for monochrome printing using all standard voltages.

³The default time from Ready mode to PowerSave mode and the recovery time from PowerSave mode to the start of printing is negligible (less than 10 seconds) because of the instant-on fusing.

⁴HP LaserJet 1020 speed is 14 ppm for A4 media and 15 ppm for letter media.

⁵The heat dissipation in Ready mode is 20 BTU/hour.

Physical specifications

Dimensions	<ul style="list-style-type: none">• Width: 370 mm (14.6 inches)• Depth: 242 mm (9.5 inches)• Height: 209 mm (8.2 inches)
Weight (2,000-page cartridge installed)	5.8 kg (12.8 lb)

NOTE

Values are current as of April 1, 2004. Values are subject to change without notice. See <http://www.hp.com/support/lj1020/> for current information.

Printer capacities and ratings

Print speed	<ul style="list-style-type: none"> • 14 ppm for A4 media and 15 ppm for letter media • First page out in as low as 10 seconds
Main input tray capacity	150 sheets of regular weight 75 g/m ² (20 lb) paper
Priority feed slot capacity	1 sheet of media up to 163 g/m ² (43 lb)
Top (face down) output bin capacity	100 sheets of regular weight 75 g/m ² (20 lb) paper
Minimum paper size	76 x 127 mm (3 x 5 inches)
Maximum paper size	216 x 356 mm (8.5 x 14 inches)
Media weight	Output bin: 60 to 105 g/m ² (16 to 28 lbs)
Base memory	2 MB of RAM
Print resolution	<ul style="list-style-type: none"> • 600 x 600 dpi with HP Resolution Enhancement technology (REt) • 1200 dpi effective output quality (600 x 600 x 2 dpi with HP Resolution Enhancement technology [REt])
Duty cycle	<ul style="list-style-type: none"> • 8,000 single-sided pages per month (maximum) • 1,000 single-sided pages per month (average)

Memory specifications

Base memory	2 MB RAM
-------------	----------

B

Regulatory information

FCC compliance

This equipment has been tested and found to comply with the limits for a Class B digital device, pursuant to Part 15 of the FCC rules. These limits are designed to provide reasonable protection against harmful interference in a residential installation. This equipment generates, uses, and can radiate radio frequency energy. If it is not installed and used in accordance with the instructions, it may cause harmful interference to radio communications. However, there is no guarantee that interference will not occur in a particular installation. If this equipment does cause harmful interference to radio or television reception, which can be determined by turning the equipment off and on, the user is encouraged to try to correct the interference by one or more of the following measures:

- Reorient or relocate the receiving antenna.
- Increase separation between equipment and receiver.
- Connect equipment to an outlet on a circuit different from that to which the receiver is located.
- Consult your dealer or an experienced radio/TV technician.

NOTE

Any changes or modifications to the printer that are not expressly approved by Hewlett-Packard could void the user's authority to operate this equipment.

Use of a shielded interface cable is required to comply with the Class B limits of Part 15 of FCC rules.

Declaration of Conformity statement

Declaration of Conformity

according to ISO/IEC Guide 22 and EN 45014

Manufacturer's Name: Hewlett-Packard Company
Manufacturer's Address: 11311 Chinden Boulevard,
Boise, Idaho 83714-1021, USA

declares that the product

Product Name: HP LaserJet 1020
Regulatory Model ³⁾: BOISB-0207-00
Product Options: ALL

conforms to the following Product Specifications:

Safety: IEC 60950:2001-1 / EN 60950:2001-1
IEC 60825-1:1993 +A1:1997 +A2:2001 / EN 60825-1:1994 +A11:1996 +A2:2001 (Class 1 Laser/LED Product)
GB4943-2001

EMC: CISPR 22:1997 / EN 55022:1998 Class B¹⁾
EN 61000-3-2:2000
EN 61000-3-3:1995 / A1:2001
EN 55024:1998
FCC Title 47 CFR, Part 15 Class B²⁾ / ICES-003, Issue 4
GB9254-1998, GB17625.1-1998

Supplementary Information:

The product herewith complies with the requirements of the EMC Directive 89/336/EEC and the Low Voltage Directive 73/23/EEC, and carries the CE-marking accordingly.

- 1) The product was tested in a typical configuration with Hewlett-Packard Personal Computer Systems. Compliance testing of product to standard with exception of clause 9.5, which is not yet in effect.
- 2) This Device complies with Part 15 of the FCC Rules. Operation is subject to the following two Conditions: (1) this device may not cause harmful interference, and (2) this device must accept any interference received, including interference that may cause undesired operation.
- 3) For regulatory purposes, this product is assigned a Regulatory model number. This number should not be confused with the product name or the product number(s).

Boise, Idaho 83714, USA

19 August 2004

For Regulatory Topics ONLY:

Australia Contact: Product Regulations Manager, Hewlett-Packard Australia Ltd., 31-41 Joseph Street., Blackburn, Victoria 3130, Australia.

European Contact: Your Local Hewlett-Packard Sales and Service Office or Hewlett-Packard GmbH, Department HQ-TRE / Standards Europe., Herrenberger Straße 140., D-71034 Böblingen., Germany, (FAX: +49-7031-14-3143)

USA Contact: Product Regulations Manager, Hewlett-Packard Company., PO Box 15, Mail Stop 160, Boise, Idaho 83707-0015, USA (Phone: 208-396-6000)

Regulatory statements

Laser safety statement

The Center for Devices and Radiological Health (CDRH) of the U.S. Food and Drug Administration has implemented regulations for laser products manufactured since August 1, 1976. Compliance is mandatory for products marketed in the United States. The printer is certified as a "Class 1" laser product under the U.S. Department of Health and Human Services (DHHS) Radiation Performance Standard according to the Radiation Control for Health and Safety Act of 1968.

Since radiation emitted inside the printer is completely confined within protective housings and external covers, the laser beam cannot escape during any phase of normal user operation.

WARNING!

Using controls, making adjustments, or performing procedures other than those specified in this user guide could result in exposure to hazardous radiation.

Canadian DOC regulations

Complies with Canadian EMC Class B requirements.

« Conforme à la classe B des normes canadiennes de compatibilité électromagnétiques (CEM). »

Korean EMI statement

사용자 안내문 (B급 기기)

이 기기는 비업무용으로 전자파장해 검정을 받은 기기로서, 주거 지역에서는 물론 모든 지역에서 사용할 수 있습니다.

Laser statement for Finland

LASERTURVALLISUUS

LUOKAN 1 LASERLAITE

KLASS 1 LASER APPARAT

HP LaserJet 1020 -laserkirjoitin on käyttäjän kannalta turvallinen luokan 1 laserlaite. Normaalisissa käytössä kirjoittimen suojakotelointi estää lasersäteiden pääsyn laitteen ulkopuolelle.

Laitteen turvallisuusluokka on määritetty standardin EN 60825-1 (1994) mukaisesti.

VAROITUS!

Laitteen käyttäminen muulla kuin käyttöohjeessa mainitulla tavalla saattaa altistaa käyttäjän turvallisuusluokan 1 ylittävälle näkymättömälle lasersäteilylle.

WARNING!

Om apparaten används på annat sätt än i bruksanvisning specificerats, kan användaren utsättas för osynlig laserstrålning, som överskrider gränsen för laserklass 1.

HUOLTO

HP LaserJet 1020 -kirjoittimen sisällä ei ole käyttäjän huollettavissa olevia kohteita. Laitteen saa avata ja huoltaa ainoastaan sen huoltamiseen koulutettu henkilö. Tällaiseksi huoltotoimenpiteeksi ei katsota väriainekasetin vaihtamista, paperiradan puhdistusta tai muita käyttäjän käsikirjassa lueteltuja, käyttäjän tehtäväksi tarkoitettuja ylläpitotoimia, jotka voidaan suorittaa ilman erikoistyökaluja.

VARO!

Mikäli kirjoittimen suojakotelo avataan, olet alttiina näkymättömälle lasersäteilylle laitteen ollessa toiminnassa. Älä katso säteeseen.

WARNING!

Om laserprinterns skyddshölje öppnas då apparaten är i funktion, utsättas användaren för osynlig laserstrålning. Betrakta ej strålen.

Tiedot laitteessa käytettävän laserdiodin säteilyominaisuuksista:

Aallonpituus 785-800 nm

Teho 5 mW

Luokan 3B laser

Environmental product stewardship program

Protecting the environment

Hewlett-Packard Company is committed to providing quality products in an environmentally sound manner. This product has been designed with several attributes to minimize impacts on our environment.

Ozone production

This product generates no appreciable ozone gas (O₃).

Energy consumption

Power usage drops significantly while in PowerSave/Sleep mode, which saves natural resources and saves money without affecting the high performance of this product. This product qualifies for Energy Star® (version 3.0), which is a voluntary program to encourage the development of energy-efficient office products.



Energy Star is a U.S. registered service mark of the U.S. EPA. As an Energy Star partner, Hewlett-Packard Company has determined that this product meets Energy Star guidelines for energy efficiency. For more information, see <http://www.energystar.gov/>.

Toner consumption

EconoMode uses significantly less toner, which might extend the life of the print cartridge.

Paper use

This product's manual duplex feature (two-sided printing, see [Printing on both sides of the paper \(manual two-sided printing\)](#)) and N-up printing (multiple pages printed on one page) capability can reduce paper usage and the resulting demands on natural resources.

Plastics

Plastic parts over 25 grams (0.9 oz) are marked according to international standards that enhance the ability to identify plastics for recycling purposes at the end of the product's life.

HP LaserJet printing supplies

In many countries/regions, this product's printing supplies (for example, print cartridge) can be returned to HP through the HP Printing Supplies Returns and Recycling Program. An easy-to-use and free take back program is available in more than 30 countries/regions. Multi-lingual program information and instructions are included in every new HP LaserJet print cartridge and supplies package.

HP printing supplies returns and recycling program information

Since 1992, HP has offered HP LaserJet supplies return and recycling free of charge in 86% of the world market where HP LaserJet supplies are sold. Postage-paid and pre-addressed labels are included within the instruction guide in most HP LaserJet print cartridge boxes. Labels and bulk boxes are also available through the website: <http://www.hp.com/recycle>.

More than 10 million HP LaserJet print cartridges were recycled globally in 2002 through the HP Planet Partners supplies recycling program. This record number represents 26 million pounds of print cartridge materials diverted from landfills. Worldwide, HP recycled an average of 80% of the print cartridge by weight consisting primarily of plastic and metals. Plastics and metals are used to make new products such as HP products, plastic trays and spools. The remaining materials are disposed of in an environmentally responsible manner.

U.S. recycling returns

For a more environmentally responsible return of used cartridges and supplies, HP encourages the use of bulk returns. Simply bundle two or more cartridges together and use the single, pre-paid, pre-addressed UPS label that is supplied in the package. For more information in the U.S., call 800-340-2445 or visit the HP website at <http://www.hp.com/recycle>.

Non-U.S. recycling returns

Non-US customers should visit the <http://www.hp.com/recycle> website for further information regarding availability of the HP Supplies Returns and Recycling program.

Paper

This product is capable of using recycled papers when the paper meets the guidelines outlined in the *Print Media Guide*. See [Ordering supplies](#) for ordering information. This product is suitable for the use of recycled paper according to EN12281:2002.

Material restrictions

This HP product does not contain batteries.

For more information

To obtain information about these environmental topics:

- Product environmental profile sheet for this and many related HP products
- HP's commitment to the environment
- HP's environmental management system

- HP's end-of-life product return and recycling program
- Material safety data sheets

Visit: <http://www.hp.com/go/environment> or <http://www.hp.com/hpinfo/community/environment/productinfo/safety>.

Material safety data sheet

Material Safety Data Sheets (MSDS) for supplies containing chemical substances (for example, toner) can be obtained by contacting the HP website at: <http://www.hp.com/go/msds> or <http://www.hp.com/hpinfo/community/environment/productinfo/safety>.



Warranty and licensing

Hewlett-Packard limited warranty statement

HP PRODUCT
HP LaserJet 1020 printer

DURATION OF LIMITED WARRANTY
One-year limited warranty

HP warrants to you, the end-user customer, that HP hardware and accessories will be free from defects in materials and workmanship after the date of purchase, for the period specified above. If HP receives notice of such defects during the warranty period, HP will, at its option, either repair or replace products which prove to be defective. Replacement products may be either new or equivalent in performance to new.

HP warrants to you that HP software will not fail to execute its programming instructions after the date of purchase, for the period specified above, due to defects in material and workmanship when properly installed and used. If HP receives notice of such defects during the warranty period, HP will replace software which does not execute its programming instructions due to such defects.

HP does not warrant that the operation of HP products will be uninterrupted or error free. If HP is unable, within a reasonable time, to repair or replace any product to a condition as warranted, you will be entitled to a refund of the purchase price upon prompt return of the product.

HP products may contain remanufactured parts equivalent to new in performance or may have been subject to incidental use.

Warranty does not apply to defects resulting from (a) improper or inadequate maintenance or calibration, (b) software, interfacing, parts or supplies not supplied by HP, (c) unauthorized modification or misuse, (d) operation outside of the published environmental specifications for the product, or (e) improper site preparation or maintenance.

TO THE EXTENT ALLOWED BY LOCAL LAW, THE ABOVE WARRANTIES ARE EXCLUSIVE AND NO OTHER WARRANTY OR CONDITION, WHETHER WRITTEN OR ORAL, IS EXPRESSED OR IMPLIED AND HP SPECIFICALLY DISCLAIMS ANY IMPLIED WARRANTIES OR CONDITIONS OF MERCHANTABILITY, SATISFACTORY QUALITY, AND FITNESS FOR A PARTICULAR PURPOSE. Some countries/regions, states or provinces do not allow limitations on the duration of an implied warranty, so the above limitation or exclusion might not apply to you. This warranty gives you specific legal rights and you might also have other rights that vary from country/region to country/region, state to state, or province to province. HP's limited warranty is valid in any country/region or locality where HP has a support presence for this product and where HP has marketed this product. The level of warranty service you receive may vary according to local standards. HP will not alter form, fit or function of the product to make it operate in a country/region for which it was never intended to function for legal or regulatory reasons.

TO THE EXTENT ALLOWED BY LOCAL LAW, THE REMEDIES IN THIS WARRANTY STATEMENT ARE YOUR SOLE AND EXCLUSIVE REMEDIES. EXCEPT AS INDICATED ABOVE, IN NO EVENT WILL HP OR ITS SUPPLIERS BE LIABLE FOR LOSS OF DATA OR FOR DIRECT, SPECIAL, INCIDENTAL, CONSEQUENTIAL (INCLUDING LOST PROFIT OR DATA), OR OTHER DAMAGE, WHETHER BASED IN CONTRACT, TORT, OR OTHERWISE. Some countries/regions, states or provinces do not allow the exclusion or limitation of incidental or consequential damages, so the above limitation or exclusion may not apply to you.

THE WARRANTY TERMS CONTAINED IN THIS STATEMENT, EXCEPT TO THE EXTENT LAWFULLY PERMITTED, DO NOT EXCLUDE, RESTRICT OR MODIFY AND ARE IN ADDITION TO THE MANDATORY STATUTORY RIGHTS APPLICABLE TO THE SALE OF THIS PRODUCT TO YOU.

Hewlett-Packard software license agreement

ATTENTION: USE OF THE SOFTWARE IS SUBJECT TO THE HP SOFTWARE LICENSE TERMS SET FORTH BELOW. USING THE SOFTWARE INDICATES YOUR ACCEPTANCE OF THESE LICENSE TERMS.

HP SOFTWARE LICENSE TERMS

The following License Terms govern your use of the accompanying Software unless you have a separate signed agreement with Hewlett-Packard.

License Grant. Hewlett-Packard grants you a license to use one copy of the Software. "Use" means storing, loading, installing, executing, or displaying the Software. You may not modify the Software or disable any licensing or control features of the Software. If the Software is licensed for "concurrent use," you may not allow more than the maximum number of authorized users to Use the Software concurrently.

Ownership. The Software is owned and copyrighted by Hewlett-Packard or its third-party suppliers. Your license confers no title to, or ownership in, the Software and is not a sale of any rights in the Software. Hewlett-Packard's third-party suppliers may protect their rights in the event of any violation of these License Terms.

Copies and Adaptations. You may only make copies or adaptations of the Software for archival purposes or when copying or adaptation is an essential step in the authorized Use of the Software. You must reproduce all copyright notices in the original Software on all copies or adaptations. You may not copy the Software onto any public network.

No Disassembly or Decryption. You may not disassemble or decompile the Software unless HP's prior written consent is obtained. In some jurisdictions, HP's consent may not be required for limited disassembly or decompilation. Upon request, you will provide HP with reasonably detailed information regarding any disassembly or decompilation. You may not decrypt the Software unless decryption is a necessary part of the operation of the Software.

Transfer. Your license will automatically terminate upon any transfer of the Software. Upon transfer, you must deliver the Software, including any copies and related documentation, to the transferee. The transferee must accept these License Terms as a condition to the transfer.

Termination. HP may terminate your license upon notice for failure to comply with any of these License Terms. Upon termination, you must immediately destroy the Software, together with all copies, adaptations, and merged portions in any form.

Export Requirements. You may not export or re-export the Software or any copy or adaptation in violation of any applicable laws or regulations.

U.S. Government Restricted Rights. The Software and any accompanying documentation have been developed entirely at private expense. They are delivered and licensed as "commercial computer software" as defined in DFARS 252.227-7013 (Oct 1988), DFARS 252.211-7015 (May 1991), or DFARS 252.227-7014 (Jun 1995), as a "commercial item" as defined in FAR 2.101(a) (Jun 1987), or as "Restricted computer software" as defined in FAR 52.227-19 (Jun 1987) (or any equivalent agency regulation or contract clause), whichever is applicable. You have only those rights provided for such Software and any accompanying documentation by the applicable DFARS or FAR clause or the HP standard software agreement for the product involved.

Print cartridge limited warranty

This HP product is warranted to be free from defects in materials and workmanship. This warranty does not apply to products that (a) have been refilled, refurbished, remanufactured or tampered with in any way, (b) experience problems resulting from misuse, improper storage, or operation outside of the published environmental specifications for the printer product or (c) exhibit wear from ordinary use. To obtain warranty service, please return the product to place of purchase (with a written description of the problem and print samples) or contact HP customer support. At HP's option, HP will either replace products that prove to be defective or refund your purchase price. TO THE EXTENT ALLOWED BY LOCAL LAW, THE ABOVE WARRANTY IS EXCLUSIVE AND NO OTHER WARRANTY OR CONDITION, WHETHER WRITTEN OR ORAL, IS EXPRESSED OR IMPLIED AND HP SPECIFICALLY DISCLAIMS ANY IMPLIED WARRANTIES OR CONDITIONS OF MERCHANTABILITY, SATISFACTORY QUALITY, AND FITNESS FOR A PARTICULAR PURPOSE. TO THE EXTENT ALLOWED BY LOCAL LAW, IN NO EVENT WILL HP OR ITS SUPPLIERS BE LIABLE FOR DIRECT, SPECIAL, INCIDENTAL, CONSEQUENTIAL (INCLUDING LOST PROFIT OR DATA), OR OTHER DAMAGE, WHETHER BASED IN CONTRACT, TORT, OR OTHERWISE. THE WARRANTY TERMS CONTAINED IN THIS STATEMENT, EXCEPT TO THE EXTENT LAWFULLY PERMITTED, DO NOT EXCLUDE, RESTRICT OR MODIFY AND ARE IN ADDITION TO THE MANDATORY STATUTORY RIGHTS APPLICABLE TO THE SALE OF THIS PRODUCT TO YOU.

D

HP parts and accessories

This appendix provides information on the following topics:

- [Ordering supplies](#)
- [Using HP print cartridges](#)

Ordering supplies

You can increase the printer's capabilities with optional accessories and supplies. Use accessories and supplies specifically designed for the HP LaserJet 1020 printer to ensure optimum performance.

Ordering information

	Item	Description or use	Order number
Printing supplies	HP Multipurpose paper	HP brand paper for a variety of uses (1 box of 10 reams, 500 sheets each). To order a sample, in the U.S., call 800-471-4701.	HPM1120
	HP LaserJet paper	Premium HP brand paper for use with HP LaserJet printers (1 box of 10 reams, 500 sheets each). To order a sample, in the U.S., call 800-471-4701.	HPJ1124
	HP LaserJet transparency film	HP brand transparency film for use with HP LaserJet monochrome printers.	92296T (letter) 92296U (A4)
Print cartridges for the HP LaserJet 1020 printer	Print cartridges	Replacement print cartridges for the HP LaserJet 1020 printer. 2,000 page cartridge See Print cartridge life expectancy for more information	Q2612A
Supplementary documentation	<i>HP LaserJet printer family print media guide</i>	A guide to using paper and other print media with HP LaserJet printers.	5851-1468 NOTE This document can be downloaded from http://www.hp.com/support/ljpaperguide/ .
Replacement parts	Media pickup roller	Used to pick the media from the input tray and advance it through the printer.	RL1-0266
	Separation pad for the printer	Used to keep multiple sheets from feeding through the printer path.	RL1-0269

Ordering information (continued)

	Item	Description or use	Order number
Accessory part	Input tray cover	Used to cover the media in the input tray.	Q2460-40004 (U.S.) Q2460-40005 (Europe)

Using HP print cartridges

The following sections provide information about HP print cartridges and instructions for redistributing toner and changing the print cartridge.

HP policy on non-HP print cartridges

Hewlett-Packard Company cannot recommend the use of non-HP print cartridges, either new, refilled, or remanufactured. Since they are not HP products, Hewlett-Packard cannot influence their design or control their quality. Service or repair that is required as a result of using non-HP print cartridges will not be covered under the printer warranty.

NOTE

The warranty does not apply to defects resulting from software, interfacing, or parts not supplied by Hewlett-Packard.

Storing print cartridges

Do not remove the print cartridge from its package until you are ready to use it.

CAUTION

To prevent damage to the print cartridge, minimize its exposure to direct light.

Some HP LaserJet print cartridge packages are stamped with an alphanumeric date code. This code represents a 30-month period beyond the date of production that facilitates efficient inventory management processes between HP and its resellers. It does not serve as an indication of toner life (shelf-life) or relate in any way to warranty terms and conditions.

Print cartridge life expectancy

The life of the print cartridge depends on the amount of toner that your print jobs require. When printing text at approximately 5% coverage, the print cartridge for the HP LaserJet 1020 printer lasts for an average of 2,000 pages.

NOTE

It is possible that the toner supply will outlast the mechanical parts in the print cartridge. If the print quality begins to degrade under these circumstances, you must install a new print cartridge, even if there is toner supply remaining in the cartridge.

This life expectancy assumes that you set the print density to 3 and turn EconoMode off. (These are the default settings.)

Saving toner

While in EconoMode, the printer uses less toner on each page. Selecting this option will extend the life of the print cartridge and reduce your cost per page, but it will reduce print quality. HP does not recommend the full-time use of EconoMode.

E

Service and support

This appendix provides information on the following topics:

- [Availability of support and service](#)
- [Guidelines for repacking the printer](#)
- [How to contact HP](#)

Availability of support and service

Around the world, HP provides a variety of service and support options for purchase. Availability of these programs will vary depending upon your location.

HP Care Pack™ Services and Service Agreements

HP has various service and support options that meet a wide range of needs. These options are not part of the standard warranty. Support services may vary by location. For most printers HP offers both in-warranty and post-warranty HP Care Pack Services and Service Agreements.

To identify service and support options for this printer go to <http://www.hpexpress-services.com/10467a> and type the printer model number. In North America, Service Agreement information can be obtained through HP Customer Care. Call 1-800-HPINVENT 1-800-474-6836 (U.S.) or 1-877-231-4351 (Canada). In other countries/regions please contact your country/region specific HP Customer Care Center. See the inbox flyer or go to <http://www.hp.com> for the HP Customer Care telephone number in your country/region.

Guidelines for repacking the printer

Use the following guidelines when repacking the printer:

- Remove and keep the print cartridge. If the print cartridge is left in the printer, severe damage to the printer may occur.

CAUTION

To prevent damage to the print cartridge, store the print cartridge in its original packing material, or store it so that it is not exposed to light.

- If possible, use the original shipping container and packing material. *Shipping damage as a result of inadequate packing is your responsibility.* If you have already disposed of the printer's packing material, contact a local mailing service for information on repacking the printer.
- Remove and keep any cables, trays, and optional accessories installed in the printer.
- If possible, include print samples and 5 to 10 sheets of paper or other media that did not print correctly.
- Hewlett-Packard recommends that you insure the equipment for shipment.

How to contact HP

If you need to contact HP for service or support, use one of the following links:

- In the United States, see <http://www.hp.com/support/lj1020/> for the HP LaserJet 1020 printer.
- World Wide, see <http://welcome.hp.com/country/us/en/wwcontact.html/> or <http://www.hp.com/>.

Index

A

accessories, ordering 96
acoustics emissions 77
agreements, maintenance 100
Attention light 4

B

blank pages 62
booklets, printing 37

C

canceling a print job 17
cardstock
 guidelines for using 22
 printing 33
changing
 pickup roller 45
 print cartridge 53
 separation pad 49
choosing
 media 24
 paper 24
cleaning
 media path 43
 pickup roller 48
 print cartridge area 42
 printer 42
clearing jams 71
configuration, HP LaserJet 1020 printer 3
conserving toner 98
considerations
 media 13
contacting HP 102
contracts, maintenance 100
control panel 5
custom-size media, printing 33
customer support
 maintenance agreements 100

D

door, print cartridge 4
duplex (two-sided) printing, manual 34

E

Energy Star 87

envelopes

 guidelines for using 21
 printing 27
Environmental Product Stewardship Program 87
environmental specifications 76
errors, software 64
extended warranty 100

F

FCC compliance 83
forms, printing 32

G

garbled text 62
graphics
 missing 62
 poor quality 63
guides, media
 main input tray 6
 priority feed slot 6

H

heavy media, guidelines for using 22
HP SupportPack 100

I

improving print quality 66
information, links to selected topics 2
input tray
 loading media 26
 loading priority feed slot 26
 main 4, 6
 priority feed slot 4, 6

J

jams, clearing 71

L

labels
 guidelines for using 21
 printing 31
letterhead
 guidelines for using 23
 printing 32
license, software 93
life expectancy, print cartridge 98

- lights
 - Attention 4
 - Ready 4
 - status light patterns 58
- loading media
 - 150-sheet input tray 26
 - priority feed slot 26
- M**
- main input tray
 - loading 26
 - location 4
 - media path 6
- maintenance
 - agreements 100
- manual feed printing 16
- manual two-sided printing 34
- Material Safety Data Sheet (MSDS) 90
- media
 - clearing jams 71
 - guidelines for use 20
 - loading 26
 - optimizing print quality for media types 19
 - printing custom-size media 33
 - printing manually 16
 - recommended 24
 - selecting 24
 - supported sizes 13
 - types that might damage the printer 24
 - types to avoid 24
- media guides
 - main input tray 6
 - priority feed slot 6
- media paths
 - cleaning 43
 - main input tray 6
 - output bin 7
 - overview 6
 - priority feed slot 6
- missing graphics 62
- missing text 62
- multiple pages, printing on a single sheet of paper 36

- N**
- N-up printing 36

- O**
- online help, printer properties 10
- on/off switch 4
- operating systems, supported 9
- optimizing print quality for media types 19
- ordering supplies and accessories 96
- output bin 4, 7
- output media support 4
- overview, printer 4

- P**
- paper
 - problems and solutions 20
 - selecting 24
 - supported sizes 13
 - using 20
- paper handling problems 60
- pickup roller
 - changing 45
 - cleaning 48
- port, USB location 4
- power receptacle 4
- power switch 4
- preprinted forms, guidelines 23
- print cartridge
 - changing 53
 - door 4
 - life expectancy 98
 - redistributing toner 51
 - storing 98
 - using HP cartridges 98
 - warranty 94
 - where to return for recycling 88
- print cartridge area, cleaning 42
- print quality
 - creases 69
 - curl 69
 - dropouts 66
 - gray background 67
 - light or faded print 66
 - loose toner 68
 - misformed characters 68
 - optimizing for media types 19
 - page skew 69
 - settings 18
 - toner scatter outline 70
 - toner smear 67
 - toner specks 66
 - vertical lines 67
 - vertical repetitive defects 68
 - wave 69
 - wrinkles 69
- print settings, changing 11
- printer
 - cleaning 42
 - configuration 3
 - connections 8
 - control panel 5
 - overview 4
 - repacking 101
 - software 9
 - software problems 64
 - specifications 75
- printer driver
 - installing 9
 - sites for download 2
 - Windows 9

- printer media guides
 - main input tray 6
 - priority feed slot 6
- printer properties
 - accessing 10
 - online help 10
- printer, specifications 80
- printing
 - booklets 37
 - canceling 17
 - cardstock 33
 - custom-size media 33
 - envelopes 27
 - forms, preprinted 32
 - labels 31
 - letterhead 32
 - manual feed 16
 - multiple pages on a single sheet of paper 36
 - N-up 36
 - on both sides of the paper (manual) 34
 - transparencies 31
 - watermarks 39
- priority feed slot
 - loading 26
 - location 4
 - overview 6
- R**
- Ready light 4
- recycling
 - HP printing supplies returns and environmental program 88
 - where to return cartridges 88
- redistributing toner 51
- regulatory statement
 - Declaration of Conformity statement 84
- regulatory statements
 - Canadian DOC regulations 85
 - Korean EMI statement 85
 - laser statement for Finland 86
- removing a jammed page 71
- removing jams 71
- repacking the printer 101
- repair
 - contacting HP 102
- replacement parts 96
- S**
- saving toner 98
- selecting
 - media 24
 - paper 24
- separation pad
 - changing 49
- service
 - agreements 100
 - contacting HP 102
- settings
 - changing default settings for Windows 98 SE, 2000, ME 10
 - changing default settings for Windows XP 10
 - changing for current software only 10
- settings, print quality 18
- size, media 13
- slot
 - priority feed 4
- software
 - installing 9
 - printer drivers, Windows 9
 - problems 64
 - sites for download 2
 - software license agreement 93
 - supported operating systems 9
- specifications
 - acoustics 77
 - capacities and ratings 80
 - electrical 78
 - environmental 76
 - memory 81
 - physical 79
- status light patterns 58
- supplies, ordering 96
- support
 - maintenance agreements 100
- support, websites 2
- SupportPack, HP 100
- switch, power 4
- T**
- technical support
 - maintenance agreements 100
- text
 - garbled 62
 - missing 62
- toner
 - changing the print cartridge 53
 - cleaning print cartridge area 42
 - conserving 98
 - loose 68
 - low 66
 - print cartridge door 4
 - redistributing 51
 - scatter outline 70
 - smear 67
 - specks 66
 - storing print cartridges 98
- transparencies
 - guidelines for using 21
 - printing 31

- tray
 - main input 4
- troubleshooting
 - blank pages 62
 - contacting HP support 57
 - creases 69
 - curl 69
 - Demo page 56
 - dropouts 66
 - garbled text 62
 - gray background 67
 - incomplete text 62
 - light or faded print 66
 - loose toner 68
 - misformed characters 68
 - missing graphics or text 62
 - page skew 69
 - paper handling problems 60
 - poor graphics quality 63
 - print quality 57
 - printed page and expectations 57
 - printed page differs from on-screen page 62
 - printer setup 56
 - printer software problems 64
 - printer-computer communication 57
 - Ready light 56
 - solutions 56
 - toner scatter outline 70
 - toner smear 67
 - toner specks 66
 - vertical lines 67
 - vertical repetitive defects 68
 - wave 69
 - wrinkles 69
- two-sided printing, manual 34

U

- USB port, location 4
- user guide links 2
- using HP print cartridges 98

W

- warranty
 - extended 100
 - print cartridge 94
 - product 91
- watermarks, printing 39
- web-based support 2

© 2006 Hewlett-Packard Development Company, L.P.

www.hp.com



Q5911-90949